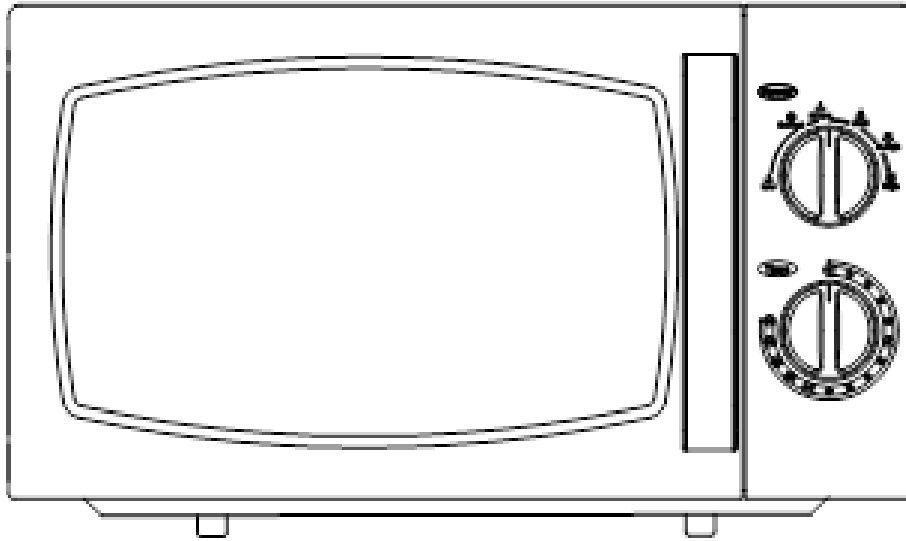


# MAXIMA

## MANUAL MICROWAVE OVEN

25 L / 900 W



### USER MANUAL

BEFORE USING THIS PRODUCT YOU SHOULD READ THIS USER MANUAL PROPERLY





## ENGLISH

### Introduction

Thank you for purchasing this Maxima product. To ensure optimal and safe use, please read these instructions completely before attempting to install or use this product

All Maxima products are manufactured with great care and are CE certified. As a result, our products meet the legal requirements within the European Union with regard to safety, health and the environment. In addition, our products are tested and inspected prior to shipment to ensure product quality and safety.

The Maxima Microwave Ovens are professional grade appliances which are ideally suited to quickly heat-up or defrost food products. Maxima Microwave Ovens are low-maintenance, safe and easy to use.

At Maxima we are very proud of our products and are completely committed to providing you with the best products and service possible. Your satisfaction is our number one priority.

We trust you will enjoy using this product and Thank You for choosing Maxima Kitchen Equipment as your supplier. We hope you will consider Maxima for your future purchases.



## ENGLISH

### Specifications

<b>Name</b>	<b>Maxima Microwave Stainless Steel (SS)</b>
<b>Model</b>	25L / 900 W / Manual
<b>Product Code</b>	09367000
<b>Power Supply</b>	230 V / 50 Hz
<b>Power Consumption</b>	1400 W
<b>Rated Microwave Power Output</b>	900 W
<b>Operating Frequency</b>	2450 MHz
<b>Net Weight</b>	Approx. 13.9 kg
<b>Dimensions</b>	(H) 281 × (W) 483 × (D) 420 mm
<b>Chamber Dimensions</b>	(H) 220 × (W) 340 × (D) 344 mm
<b>Oven Capacity</b>	25 Liters

### General Safety Regulations

This machine may only be used for the purpose for which it was designed and intended. The manufacturer and supplier are not liable for any damage caused by incorrect operation and improper use.

- This is a commercial product and must only be used by a trained professional who has read and fully understands this manual. It must not be used by children or persons with reduced physical, sensory or mental capabilities.
- The device is to be used indoors only.
- **WARNING!** Keep the machine and electrical plug away from water and other liquids. If either is exposed to a liquid, immediately disconnect the power supply and have the machine checked by a certified technician. Not following these instructions may cause electric shock, or even death.
- Do not use the machine after it has fallen or is damaged in any other way. Have it checked and repaired by a certified technician.
- Do not move the appliance while operational.
- Never try to move or carry the machine by the power cord.
- Do not place or move the machine on its side, upside-down or tilted (more than 45°).



- **ATTENTION!** Do not try to alter, modify or repair the machine yourself. This may void warranty or cause hazardous situations.
- Do not try to open the casing of the machine.
- Do not insert any objects in the casing or openings of the machine.
- Do not use any extra devices or accessories that are not supplied along with the machine.
- Never put your hands or other body parts near the moving parts of the machine while operational.
- Always keep an eye on the machine when in use.
- Keep all packaging away from children.
- Dispose of packaging in accordance with local, state and national regulations.
- Avoid overloading the machine.
- The electrical installation must satisfy the applicable local, state and national regulations.
- Switch off the machine before pulling the power plug out of the socket.
- Always disconnect the power supply when the machine is not in use. To pull the plug out of the socket, always pull on the plug and not on the cable.
- Do not touch the power plug with wet or damp hands.
- Keep the power cable away from operating range and do not cover the cable.
- Make sure the power cable does not come in contact with sharp or hot objects and keep away from open fire.
- **ATTENTION!** As long as the power plug is in the electrical socket the machine is connected to the electric grid.

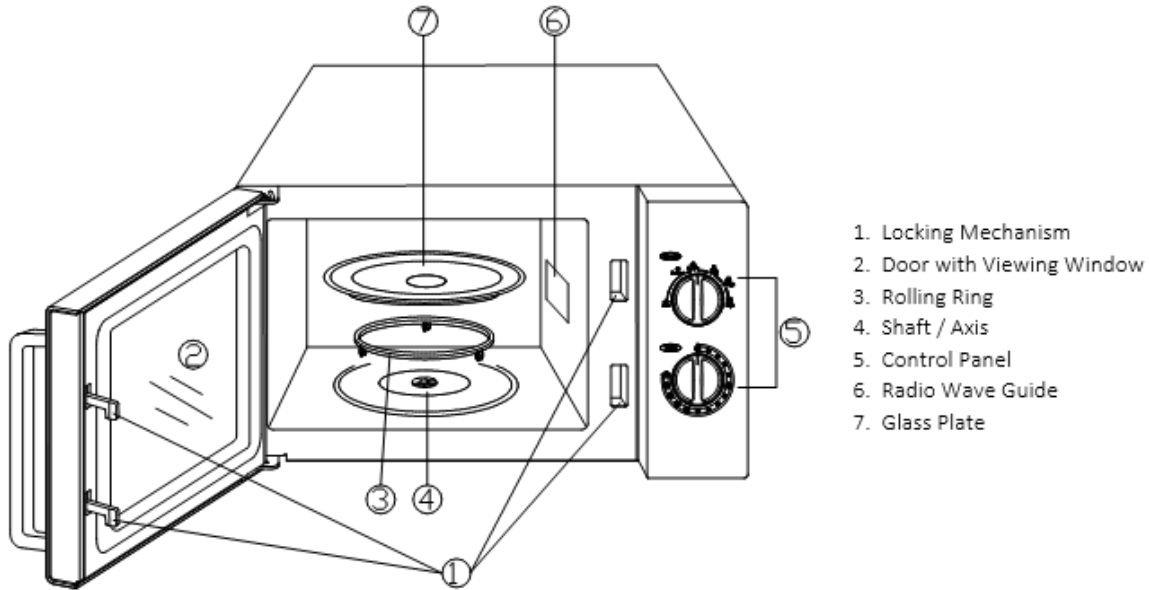


## Product Specific Safety Regulations

- This machine may only be used for its intended purpose: **Cooking, steaming or defrosting food products.**
- Under no circumstance should you place living creatures inside the microwave. Exposure to electromagnetic radiation emitted inside the appliance may cause serious injury or even death.
- Keep machine away from flammable materials, liquids and gasses.
- **WARNING!** High temperatures. Handle with care or risk serious injury.
- Do not attempt to operate the microwave with the door open or risk exposure to harmful electromagnetic radiation.
- Do not operate the oven when empty.
- Only use microwave safe containers, tableware and utensils in combination with this device.
- Never operate the microwave with any kind of metal inside (including aluminium foil).
- **WARNING!** Liquids or other food must not be heated in a sealed container for risk of explosion.
- Do not attempt to fry food by using oil inside the microwave. Hot oil can damage oven parts or cause serious burns.
- Do not attempt to cook eggs while still in their shell.
- Pierce food with a thick or tough skin, using a fork or knife before cooking.
- Do not operate the oven without the glass tray, rolling ring, and shaft in their proper positions.

## First Time Use

- Unpack and inspect your machine immediately after receipt. If there are any latent defects or damage to the machine then immediately contact your supplier. Save all packaging materials in case the machine needs to be returned or inspected by the freight carrier.
- Remove any protective film from all surfaces (if applicable).
- Read this instruction manual completely before attempting to install and operate this product. When in doubt, contact your supplier.
- If your machine is supplied with a factory fitted molded plug then you may plug the unit into a standard electrical outlet. Make sure that the voltage of the machine and the wall outlet are compatible. If your machine is not supplied with a factory fitted molded plug then a qualified electrical engineer must be contracted to wire the unit to the power supply.
- Before using the appliance for the first time, it is recommended to clean the appliance according to instructions (see chapter "*Cleaning and Maintenance*").

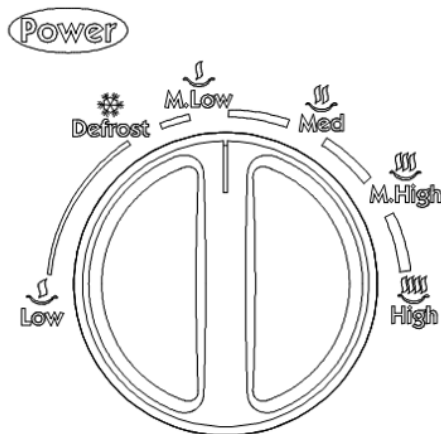


## Installation

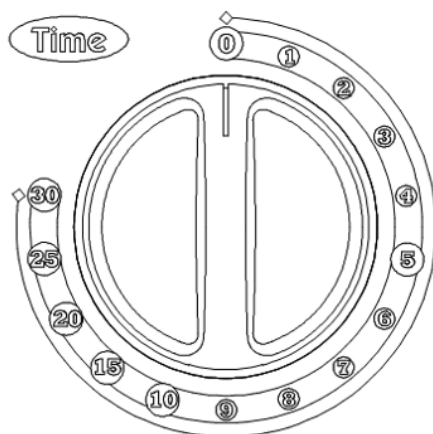
1. The machine must be positioned on a flat and stable surface which can support the weight of the microwave oven and any products placed inside.
2. Choose a surface where the machine is not exposed to direct sunlight, or close to a direct source of heat such as a cooker, oven or radiator.
3. When positioning the appliance, maintain a distance of at least 10cm (4 inches) between the appliance and walls or other objects for ventilation and ease of use. Do not place the microwave inside a cabinet.
4. Position the machine in such a way that the plug is accessible at all times.
5. Assemble any required parts (if applicable).
6. Plug the power plug into a grounded and compatible socket.

## Operation

- Place your product in an microwave safe container. Round or oval shaped containers are recommended, this helps cook the product more evenly.
- Open the door and place the item in the middle of the chamber, then close the door.
- Select the desired power setting using the “Power” dial on the control panel.
- Select the desired operating time using the “Time” dial on the control panel. The timer can be set from 0 to 30 minutes. When in doubt about cooking time, start with short periods and adjust setting accordingly. This will help avoid overcooking.
- When the timer has finished (or when your product is cooked as desired), open the door and remove the product. The product and/or container can become very hot, handle with care or risk serious injury. Using protective gloves is recommended.
- When not in use, switch off the machine.
- Clean the appliance after use (see chapter “*Cleaning and Maintenance*”).
- If the appliance will not be used for a longer period, please remove the plug from the main socket



Power Setting	Power Output
1. LOW	20 %
2. DEFROST	42 %
3. M.LOW	52 %
4. MED	73 %
5. M.HIGH	88 %
6. HIGH	100 %





## Cleaning and Maintenance

- Maintenance and repairs should only be done by a certified technician.
- Regularly check and clean the appliance, its parts and accessories (if applicable).
- Regularly check the power plug and power cable for damage. If either is damaged do not use the appliance. Instead, have it repaired by a certified electrical engineer.
- Always switch off and disconnect the power supply before cleaning or maintenance.
- Let the appliance cool down before cleaning or maintenance.
- **ATTENTION!** Never use aggressive cleaning agents or abrasives. Do not use solvents or petrol based cleaning agents. Some cleaning agents may leave harmful residues or cause damage to the machine. Use a food safe detergent instead.
- **ATTENTION!** Do not use any scourer and sharp or pointed objects during cleaning, this may cause damage to the machine.
- **ATTENTION!** Never hose down the machine or immerse it in water or any other liquid. Do not use a steamer to clean the appliance.
- **ATTENTION!** Never let the power cable or power plug get wet or damp.
- Clean the interior and exterior using a damp cloth with food safe detergent. The glass tray and rolling ring can be removed for easy cleaning. The glass tray can be washed in warm soapy water or dishwasher. Always dry the appliance, parts and accessories after cleaning using a soft cloth.

## Storage

- Make sure the appliance is cleaned properly before storage.
- Coil up the power cable and put it away.
- Store in a cool and dry place.

## Discarding

- When discarding the appliance, do so in compliance with local, state and national regulations.



## Guarantee

Thank you for using our products, our company will follow related provisions from our "Algemene Voorwaarden", and provide you services when you can show us the invoice.

We provide 12-month warranty from the date of purchase (invoice date). In the warranty period, our company is responsible for free parts if there is a device fault or quality problem of spare parts under correct operation.

The following is not included in the free service:

1. Damages result from transportation, installation, improper connections.
2. Component damages caused by failing to provide power and voltage as required in technical data.
3. Damages caused by disassembling products, adjust or change the mechanical and electrical structures without permission.
4. Damage caused by improper operation, cleaning and maintenance.
5. Non-man-made damage, such as damages from abnormal voltage, fire, building collapse, lightning, floods and other natural disasters, and damages from rats and other pests.
6. Failure in following the manual when operating.
7. Wearable and expendable parts.
8. Altered invoice or without invoice.

In line with our policy of continuous development, we reserve the right to alter the product, the packaging or the documentation without prior notice.