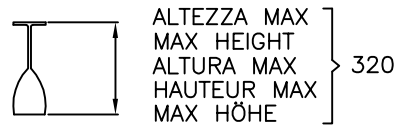
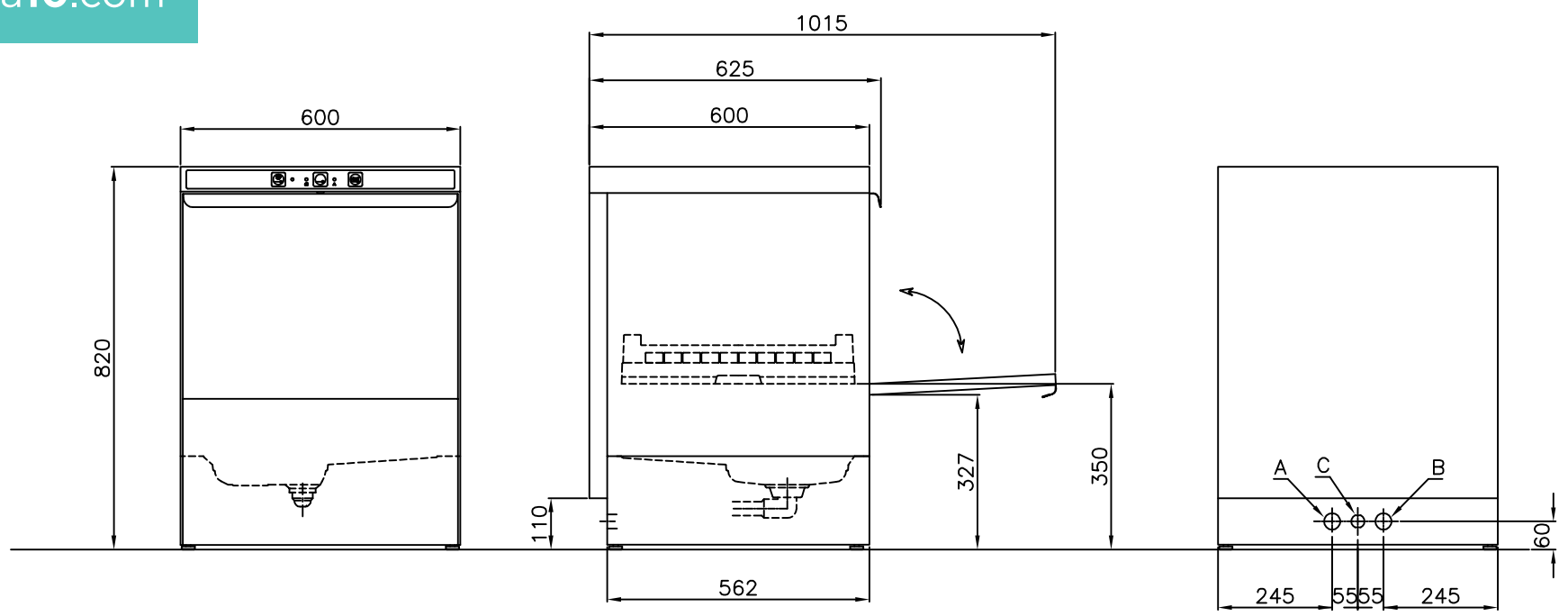


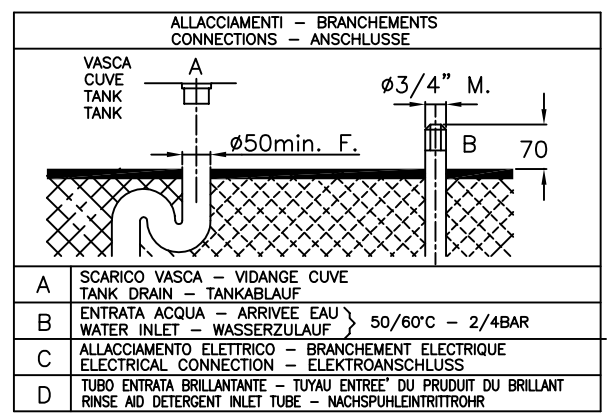
This drawing is the property of and shall not be reproduced for any purpose without our consent



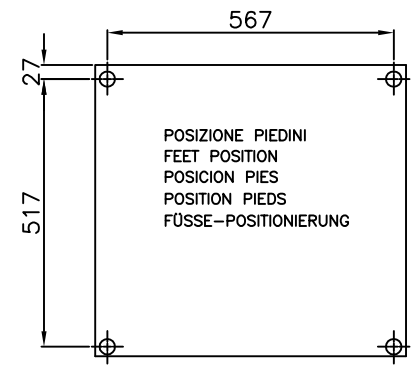
ALTEZZA MAX
MAX HEIGHT
ALTURA MAX
HAUTEUR MAX
MAX HÖHE } 320

CESTELLO
RACK
CESTA
PANIER
KORB } 500x500

LATO ANTERIORE MACCHINA
FRONT OF MACHINE
LADO ANTERIOR MAQUINA
COTE ANTERIEUR MACHINE
VORDERSEITE



ALLACCIAMENTI - BRANCHEMENTS CONNECTIONS - ANSCHLUSSE	
A	SCARICO VASCA - VIDANGE CUVÉ TANK DRAIN - TANKABLAUF
B	ENTRATA ACQUA - ARRIVEE EAU WATER INLET - WASSERZULAUF } 50/60°C - 2/4BAR
C	ALLACCIAMENTO ELETTRICO - BRANCHEMENT ELECTRIQUE ELECTRICAL CONNECTION - ELEKTROANSCHLUSS
D	TUBO ENTRATA BRILLANTANTE - TUYAU ENTREE' DU PRODUIT DU BRILLANT RINSE AID DETERGENT INLET TUBE - NACHSPUHLINTRITTRÖHR



POSIZIONE PIEDINI
FEET POSITION
POSICION PIES
POSITION PIEDS
FÜSSE-POSITIONIERUNG

SCALA	MOD.	HSP5 / 50		 VIA LUDOVICO I VENEZIANO SUP. C. VA 2 AIR GROUP	
DATA	24/01/18				
FIRMA	m.v.	COD.	INH00148	REV.	