

Drawing

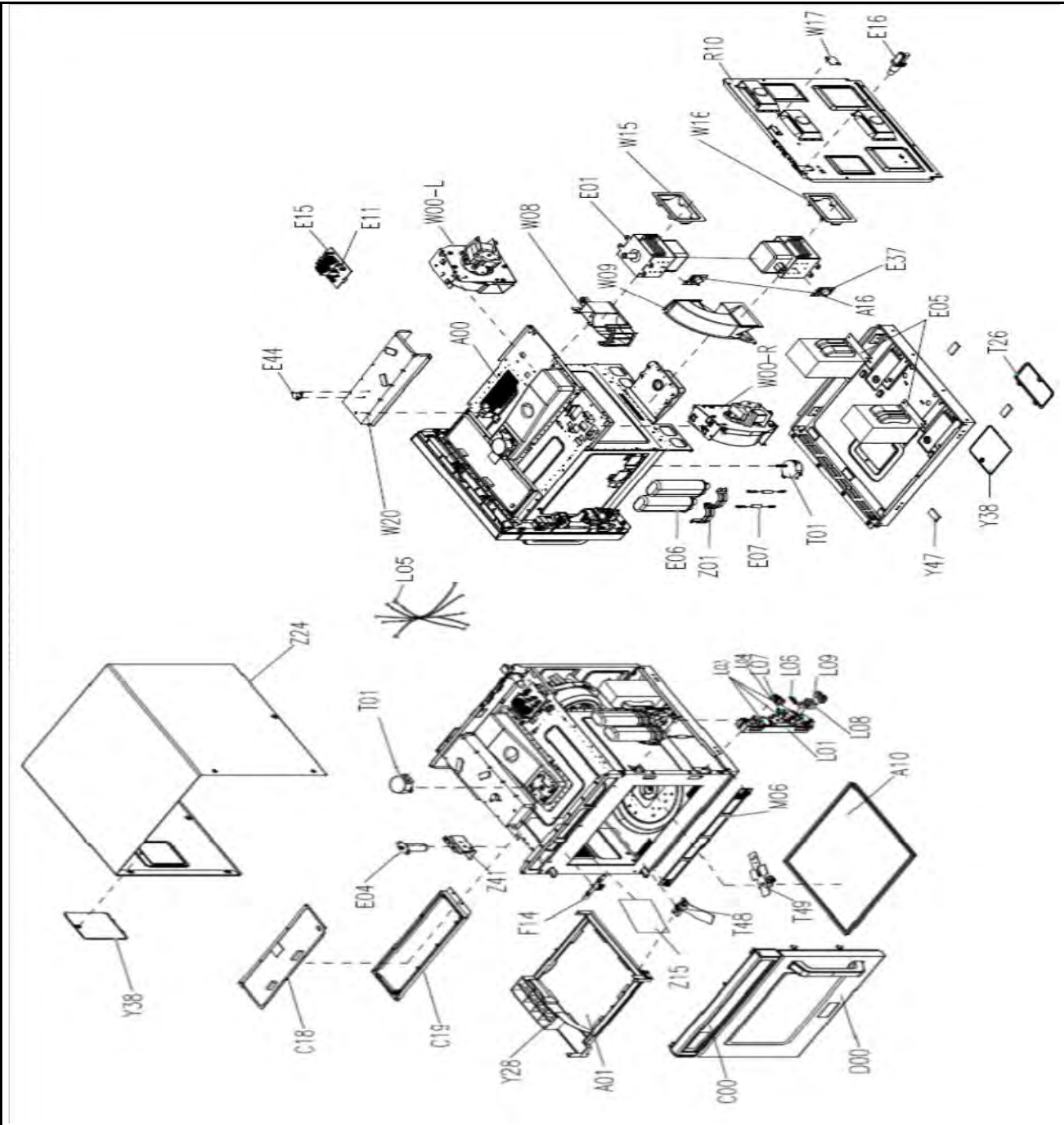


Tools for Chefs


Hendi B.V.
 Innovatielaan 6
 6745 XW De Klomp
 The Netherlands

Batch #	Appliance part#
660840 and up	281376
Description	
Microwave Programmable via USB 1800W	

Date	11-04-2025	Revision #	V.01
Revision	First Bill of Materials (BOM)		



Bill of materials (BOM)

 <p>Hendi B.V. Steenoven 21 3911 TX Rhenen The Netherlands</p>	Batch #	Appliance part#
	660840 and up	281376
	Description	
Microwave Programmable via USB 1800W		

Date	11-04-2025	Revision #	V.01
Revision	First Bill of Materials (BOM)		

Item	Description	Part#	Quantity	Remark	Picture
A00	Housing	n/a	1		
A01	Inner Protector Plate	n/a	1		
A10	Glass Plate	945100	1		
A16	Clixon Bracket	n/a	2		
C00	Control Panel Assembly	945117	1		
C18	Main PCB	n/a	1		
C19	Main PCB Bracket	n/a	1		
D00	Complete Door Assembly	945131	1		
E01	Beamer	945155	1		
E04	Lamp	n/a	1		
E05	High Voltage Transformer	945162	2		
E06	High Voltage Capacitor	943823	2		
E07	High Voltage Diode	945179	2		
E11	Main Fuse	n/a	2	Obtain Locally	
E15	EMC Filter	945278	1		
E16	Powercord	n/a	1		
E37	Clixon 150C	n/a	2		
E44	Clixon 120C	n/a	1		
F14	Plastic Bracket	n/a	1		
L00	Door Safety Assembly	945193	1	Incl. Item L01 -L09	
L01	Door Safety Base	nss	1	Available as 945193	
L03	Microswitch "A"	nss	3	Available as 945193	
L04	Microswitch "B"	nss	1	Available as 945193	
L05	Wire Harness	nss	1	Available as 945193	
L06	DoorSafety Spring	nss	1	Available as 945193	
L07	Door Safety Lever "A"	nss	1	Available as 945193	
L08	Door Safety Lever "B"	nss	1	Available as 945193	
L09	Door Safety Lever "C"	nss	1	Available as 945193	
M06	Filter	968017	1		
R10	Back Plate	n/a	1		
S01	Screw M4X14	n/a			
S02	Screw ST4X8	n/a			
S03	Screw ST3X8	n/a			
T01	Synchronous Motor	n/a	2		
T26	Sealing Bottom Service Hatch	n/a	1		
T48	Upper Antenna Assembly	n/a	1		
T49	Bottom Antenna Assmbly	n/a	1		
W00L	Left Fan Assembly	945209	1		
W00R	Right Fan Assembly	945216	1		
W08	Plastic Wind Guide "A"	n/a	1		
W09	Plastic Wind Guide "B"	n/a	1		
W15	Metal Wind Guide "A"	n/a	1		
W16	Metal Wind Guide "B"	n/a	1		
W17	Mounting Plate Housing Cover	n/a	1		
W20	Metal Wind Guide "C"	n/a	1		
Y28	Plastic Support	n/a	1	Not on Drawing	
Y38	Bottom Service Hatch	n/a	1		
Y47	Feet	n/a	4		
Z01	High Voltage Capacitor Bracket	n/a	2		
Z15	Lamp Cover	n/a	1		
Z24	Housing Cover	n/a	1		
Z41	Lamp Mounting Bracket	n/a	1		

n/a -> not available

nss -> not sold separately

Drawing

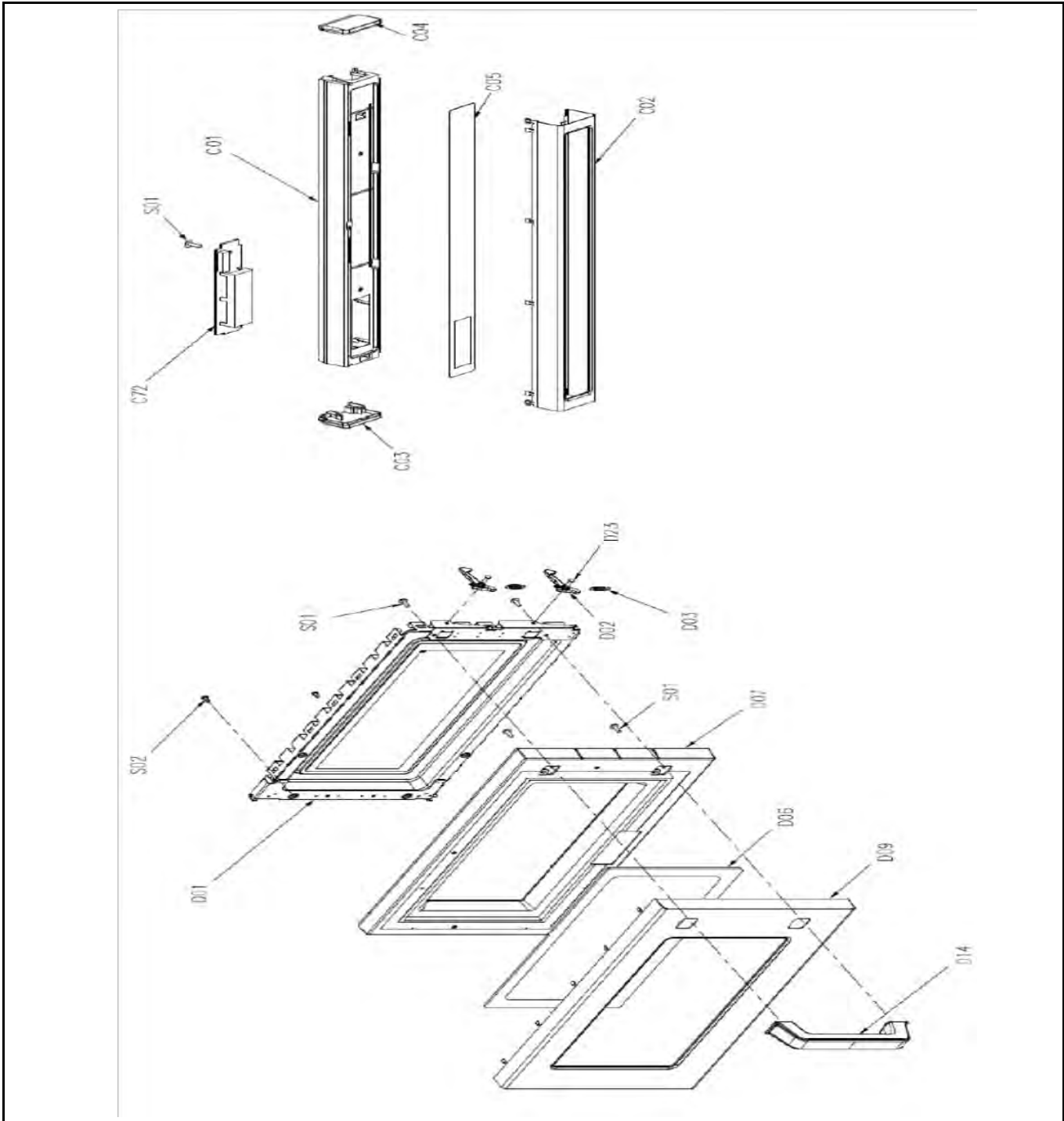


Tools for Chefs


Hendi B.V.
Innovatielaan 6
6745 XW De Klomp
The Netherlands

Batch #	Appliance part#
660840 and up	281376
Description	
Microwave Programmable via USB 1800W	

Date	11-04-2025	Revision #	V.01
Revision	First Bill of Materials (BOM)		



Circuit diagram

 HENDI Tools for Chefs Hendi B.V. Steenoven 21 3911 TX Rhenen The Netherlands	Batch #	Appliance part#
	660840 and up	281376
	Description	
	Microwave Programmable via USB 1800W	

Date	11-04-2025	Revision #	V.01
Revision	First Bill of Materials (BOM)		

