

Drawing



Tools for Chefs

Hendi B.V.

Innovatielaan 6
6745 XW De Klomp
The Netherlands

Batch #

000000 and up

Appliance part#

282816

Description

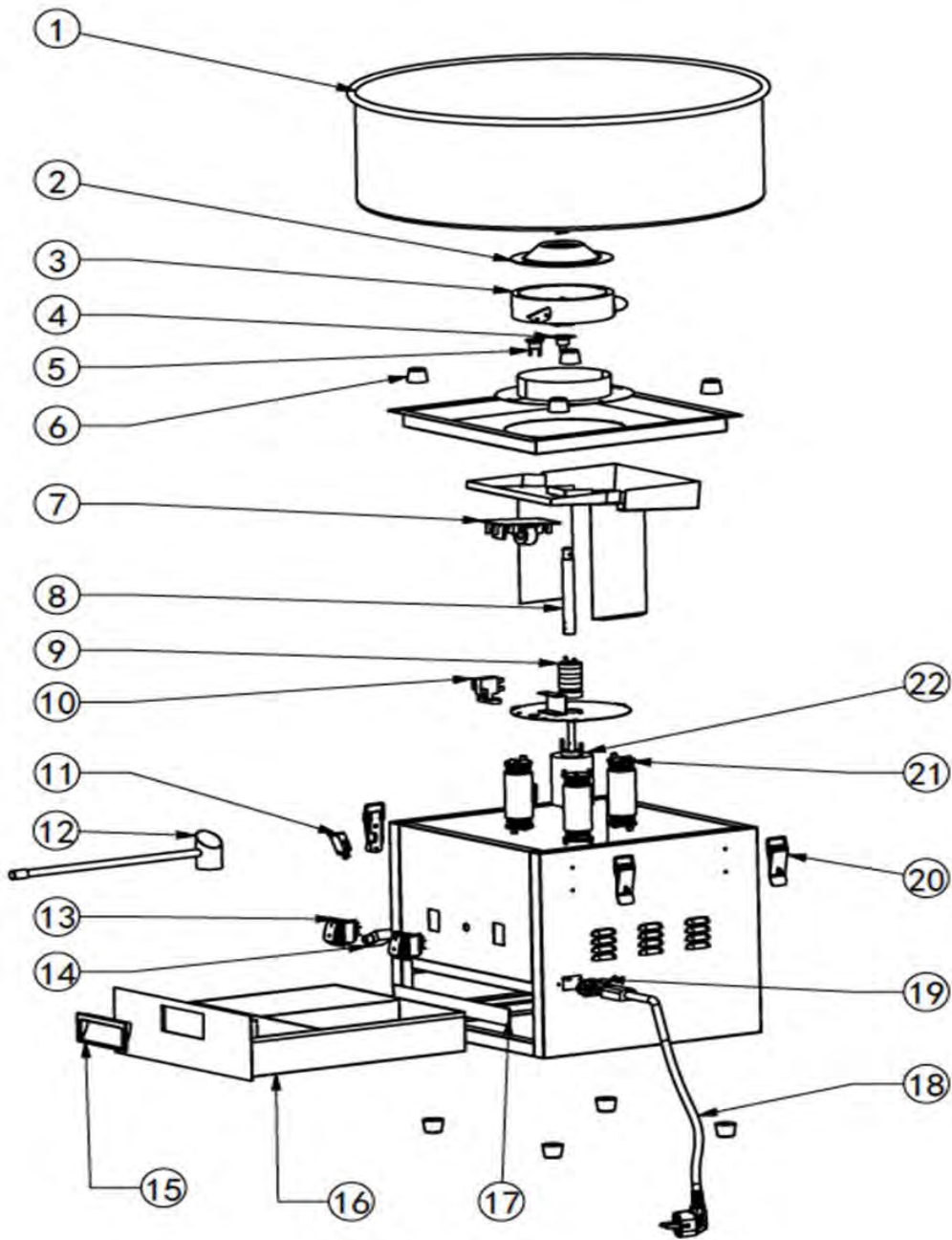
Cotton candy machine Black

Date 18-06-2025


Revision #

1.0

Revision First Bill of Materials (BOM)



Bill of materials (BOM)

 <b style="font-size: 24px; margin-left: 10px;">HENDI <small style="color: green; margin-left: 10px;">Tools for Chefs</small> Hendi B.V. Steenoven 21 3911 TX Rhenen The Netherlands	Batch #	Appliance part#
	000000 and up	282816
	Description	
	Cotton candy machine Black	


Date	18-06-2025	Revision #	1.0
Revision	First Bill of Materials (BOM)		

Item	Description	Part#	Quantity	Remark	Picture
1	Cotton candy pan	968505	1		
2	Sugar mill lid	nss	1		
3	Sugar mill	968512	1	Incl. item 2,3,4 and 5	
4	Clixon (230°C)	968529	1		
5	Clixon (245°C)	968536	1		
6	Rubber feet	968543	8	Set of 8pcs	
7	Power PCB	968550	1		
8	Axle	n/a	1		
9	Slip ring	n/a	1		
10	Carbon brush	n/a	1		
11	Microswitch	n/a	1		
12	Sugar spoon	968567	1		
13	Switch	205426	1		
14	Overload protector	968574	1		
15	Drawer handle	n/a	1		
16	Drawer	n/a	1		
17	Magnetic strip	n/a	1		
18	Power cord	900680	1		
19	Power cord socket	n/a	1		
20	Cotton candy pan clamp	968581	4		
21	Dampner	n/a	4		
22	Motor	968598	1		

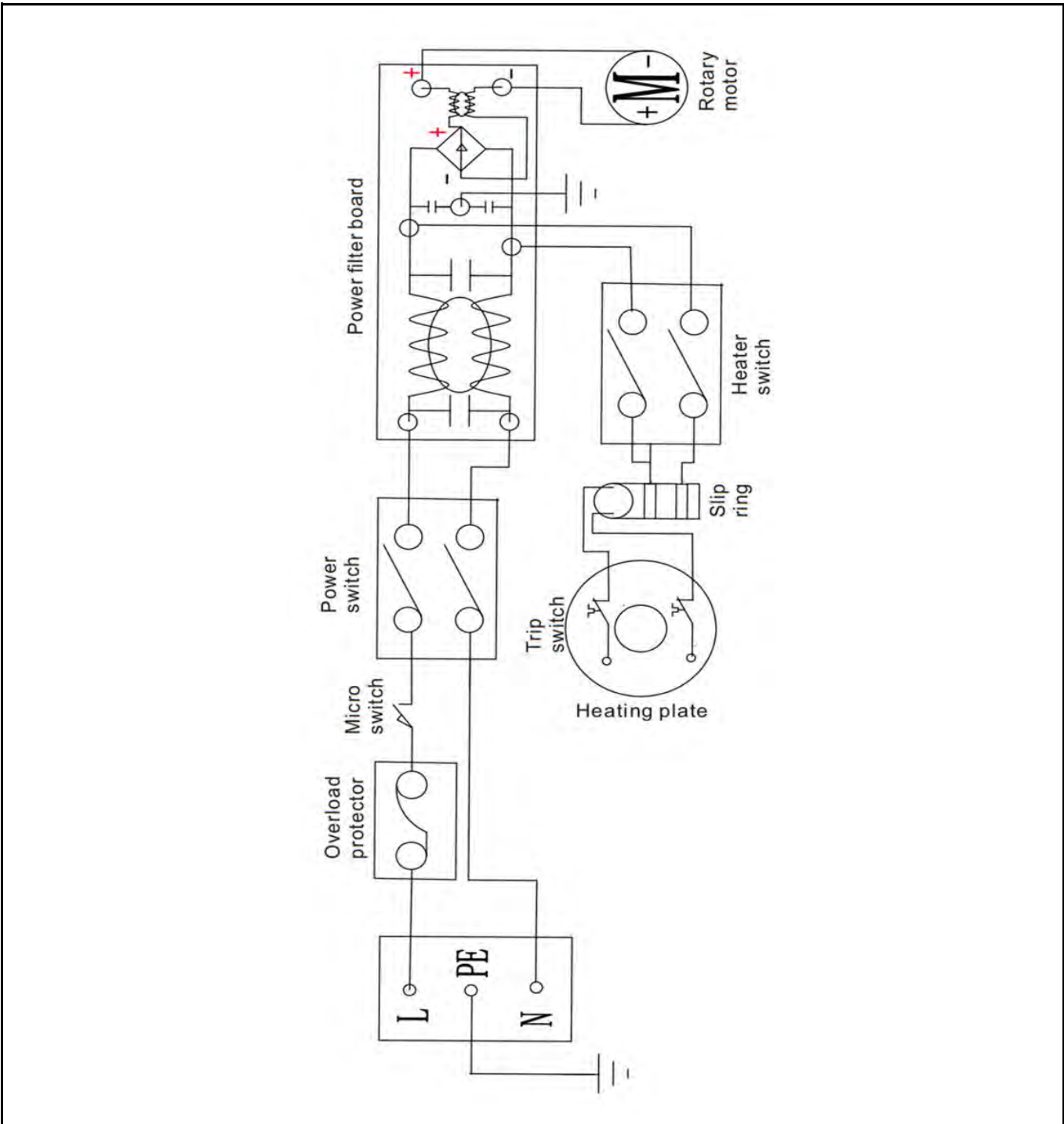
n/a -> not available

nss -> not sold separately

Circuit diagram

 <b style="font-size: 24px; margin-left: 10px;">HENDI Tools for Chefs Hendi B.V. Steenoven 21 3911 TX Rhenen The Netherlands	Batch #	Appliance part#
	000000 and up	282816
	Description	
	Cotton candy machine Black	

Date	18-06-2025	Revision #	1.0
Revision	First Bill of Materials (BOM)		



Dimentional drawing

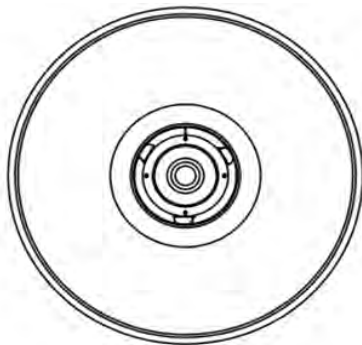
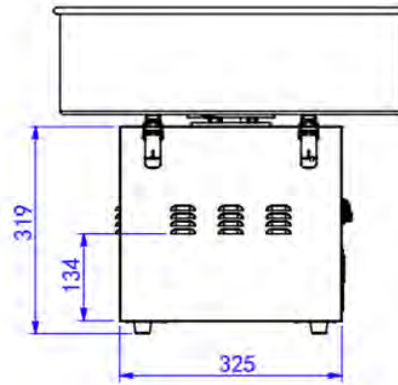
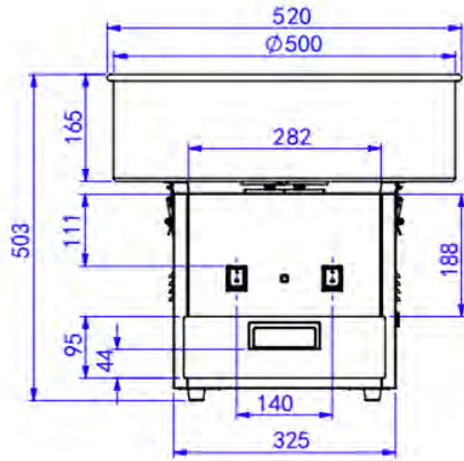


Hendi B.V.
 Steenoven 21
 3911 TX Rhenen
 The Netherlands

Tools for Chefs

Batch #	Appliance part#
000000 and up	282816
Description	
Cotton candy machine Black	

Date	18-06-2025	Revision #	1.0
Revision	First Bill of Materials (BOM)		



230V 1130W