

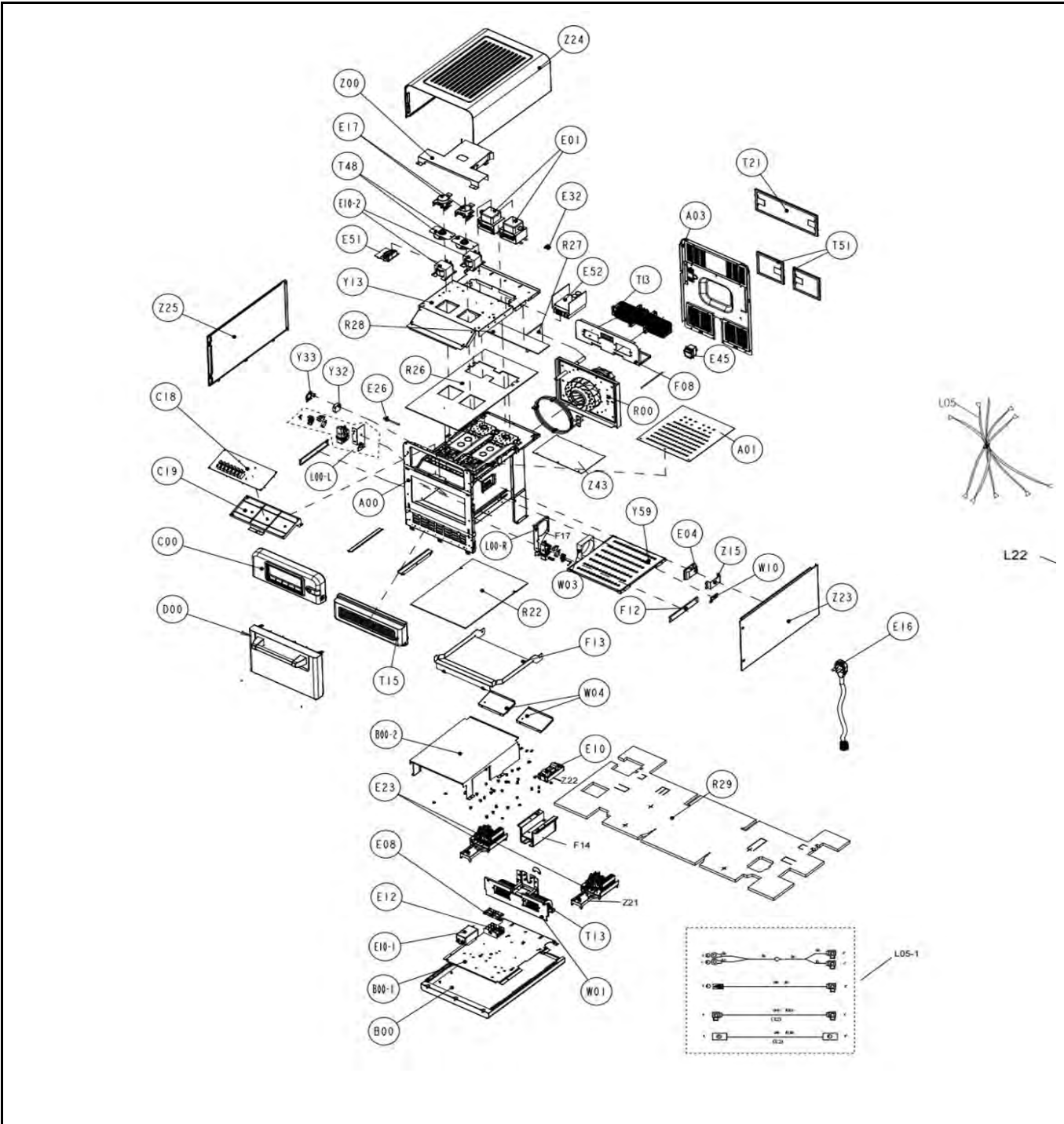
Drawing




Hendi B.V.
 Innovatielaan 6
 6745 XW De Klomp
 The Netherlands

Batch #	Appliance part#
000000 and up	281277
Description	
High-speed Oven	

Date	08-08-2025	Revision #	V.01
Revision	First Bill of Materials (BOM)		



Bill of materials (BOM)

 <p>Hendi B.V. Steenoven 21 3911 TX Rhenen The Netherlands</p>	Batch #	Appliance part#
	000000 and up	281277
	Description	
High-speed Oven		

Date	08-08-2025	Revision #	V.01
Revision	First Bill of Materials (BOM)		

Item	Description	Part#	Quantity	Remark	Picture
A00	Cabinet	n/a	1		
A01	Splash shield	n/a	1		
A03	Back cover	n/a	1		
B00	Base plate assembly	n/a	1		
B00-1	Mounting bracket	n/a	1		
B00-2	Wind deflector	n/a	1		
C00	Control panel assembly	n/a	1	See Drawing/BOM 2	
C18	Power PCB	969397	1		
C19	Power PCB bracket	n/a	1		
D00	Door assmebly	n/a	1	See Drawing/BOM 3	
E01	Microwave beamer	969403	2		
E04	Oven chamber light	969410	1		
E08	Fuse	969427	3		
E10	EMC filter assembly	969434	1		
E10-1	EMI Filter	969441	1		
E10-2	Transformer	969458	2		
E12	Fuse holder	n/a	3		
E16	Power cord	n/a	1		
E17	Synchronous motor	969465	2		
E23	Inverter	969472	2		
E26	Sensor assembly	969489	1		
E32	Thermostat	969496	1		
E45	Hi-limiter	969502	1		
E51	PCB assembly	969519	1		
E52	Driver	969526	1		
F08	Deflector bracket	n/a	1		
F12	Bracket	n/a	1		
F13	Bracket	n/a	1		
F14	Heat insulator	n/a	1		
F17	Deflector	n/a	1		
L00-L	Door lock assembly (left)	969533	1		
L00-R	Door lock assembly (right)	969540	1		
L05-1	Main wire harness	n/a	1		
R00	Convection assembly	nss	1	See Drawing/BOM 4	
R22	Insulation	n/a	1		
R26	Insulation	n/a	1		
R27	Insulation	n/a	1		
R28	Insulation	n/a	1		
R29	Insulation	n/a	1		
T13	Fan (axial)	969557	2		
T15	Lower front panel	n/a	1		
T21	Filter net	969564	1		
T48	Antennea fan assembly	969571	2		
T51	Filter net	969588	2		
W01	Axial fan bracket	n/a	1		
W03	Fan	969595	1		
W04	Deflector	n/a	2		
W10	Deflector	n/a	1		
Y13	Mounting bracket	n/a	1		
Y32	Speaker	n/a	1		
Y33	Bracket	n/a	1		
Y59	Deflector	n/a	1		
Z00	Deflector	n/a	1		
Z15	Spacer	n/a	1		

Z21	Inverter bracket	n/a	1		
Z22	EMC filter bracket	n/a	1		
Z23	Housing panel (right)	n/a	1		
Z24	Housing panel (top)	n/a	1		
Z25	Housing panel (left)	n/a	1		
Z43	Splash shield	n/a	1		

n/a -> not available

nss -> not sold separately

Drawing



Tools for Chefs

Hendi B.V.
Innovatielaan 6
6745 XW De Klomp
The Netherlands

Batch #

000000 and up

Appliance part#

281277

Description

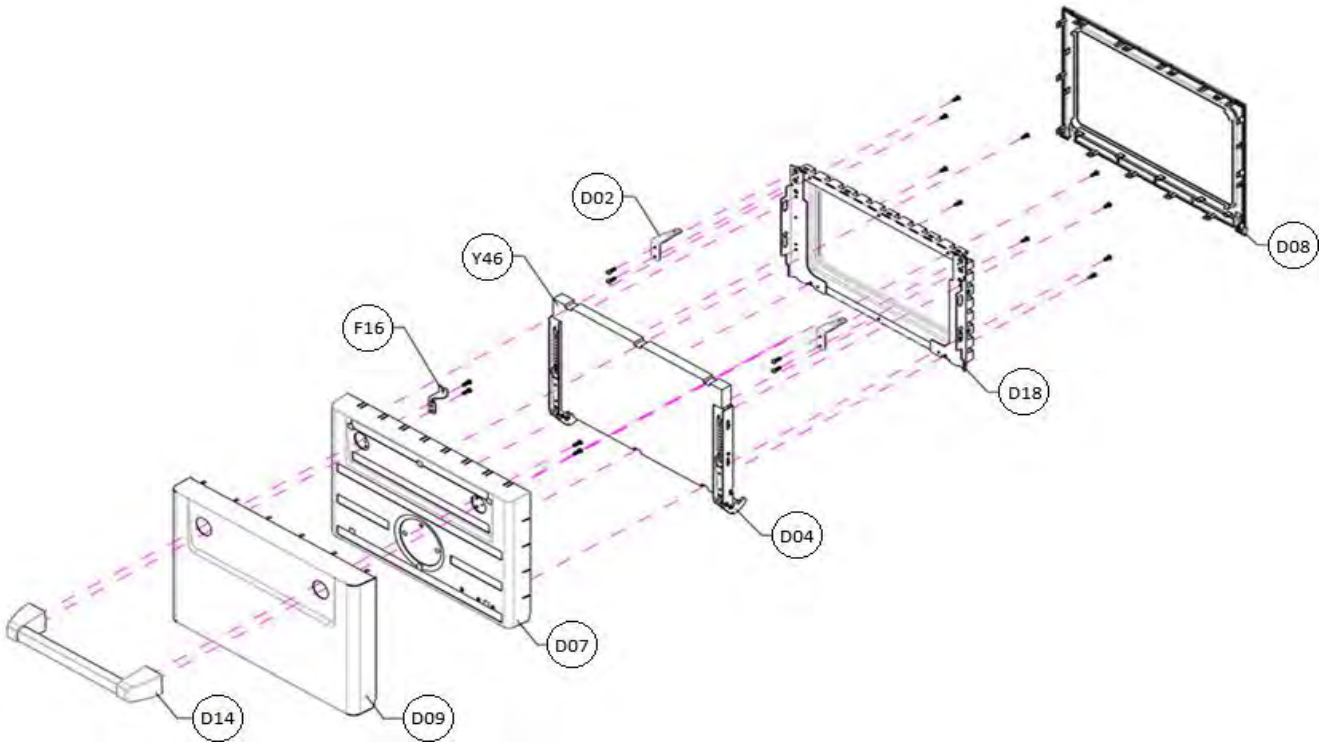
High-speed Oven

Date 08-08-2025


Revision #

V.01

Revision First Bill of Materials (BOM)



Bill of materials (BOM)

 HENDI <small>Tools for Chefs</small> Hendi B.V. Steenoven 21 3911 TX Rhenen The Netherlands	Batch #	Appliance part#
	000000 and up	281277
	Description	
		High-speed Oven

Date	08-08-2025	Revision #	V.01
Revision	First Bill of Materials (BOM)		

Item	Description	Part#	Quantity	Remark	Picture
D02	Bracket	n/a	2		
D04	Hinge assembly	969601	2		
D07	Door panel	n/a	1		
D08	Door cover	969618	1		
D09	Door panel cover	n/a	1		
D14	Door handle assembly	969625	1		
D18	Door frame	n/a	1		
F16	Bracket	n/a	1		
Y46	Insulation	n/a	1		

n/a -> not available

nss -> not sold separately

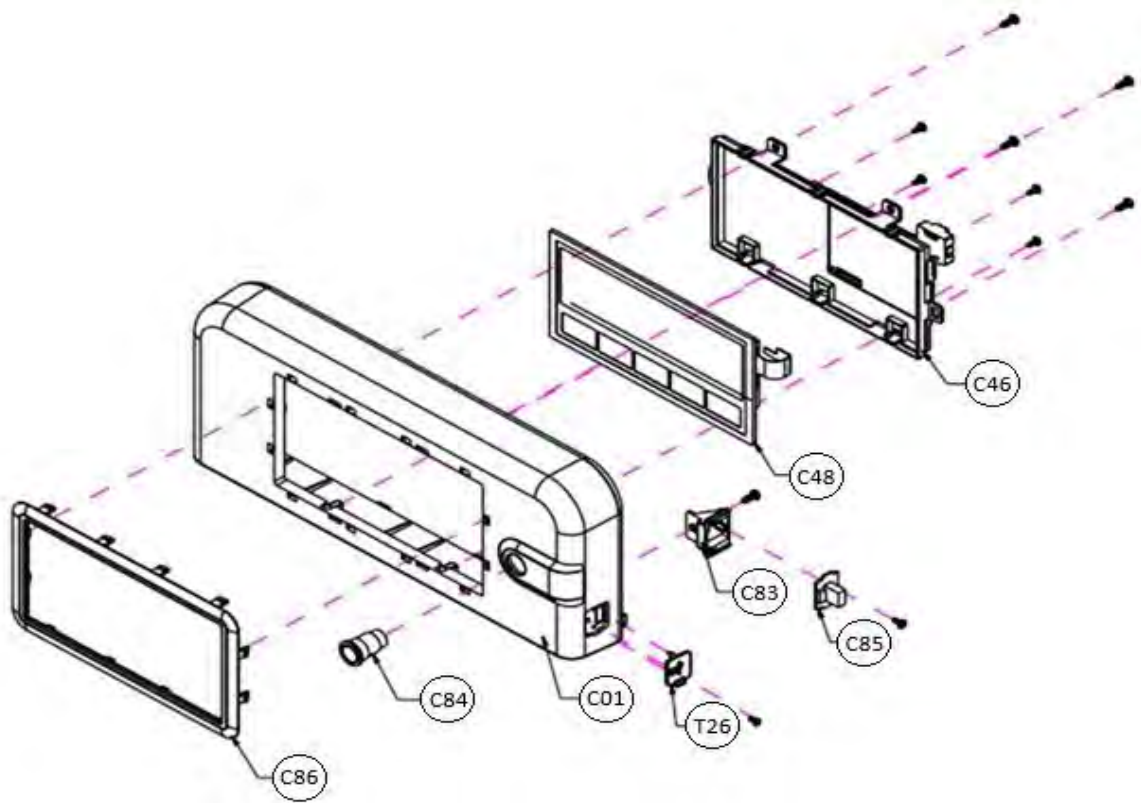
Drawing




Hendi B.V.
Innovatielaan 6
6745 XW De Klomp
The Netherlands

Batch #	Appliance part#
000000 and up	281277
Description	
High-speed Oven	

Date	08-08-2025	Revision #	V.01
Revision	First Bill of Materials (BOM)		



Bill of materials (BOM)

 HENDI <small>Tools for Chefs</small> Hendi B.V. Steenoven 21 3911 TX Rhenen The Netherlands	Batch #	Appliance part#
	000000 and up	281277
	Description	
High-speed Oven		

Date	08-08-2025	Revision #	V.01
Revision	First Bill of Materials (BOM)		

Item	Description	Part#	Quantity	Remark	Picture
C01	Display panel	n/a	1		
C46	LCD bracket	n/a	1		
C48	Touchscreen assembly	969632	1		
C83	Bracket	n/a	1		
C84	On/Off switch	969649	1		
C85	Connector	n/a	1		
C86	Decorative cover	n/a	1		
T26	Connector cover	n/a	1		

n/a -> not available

nss -> not sold separately

Drawing

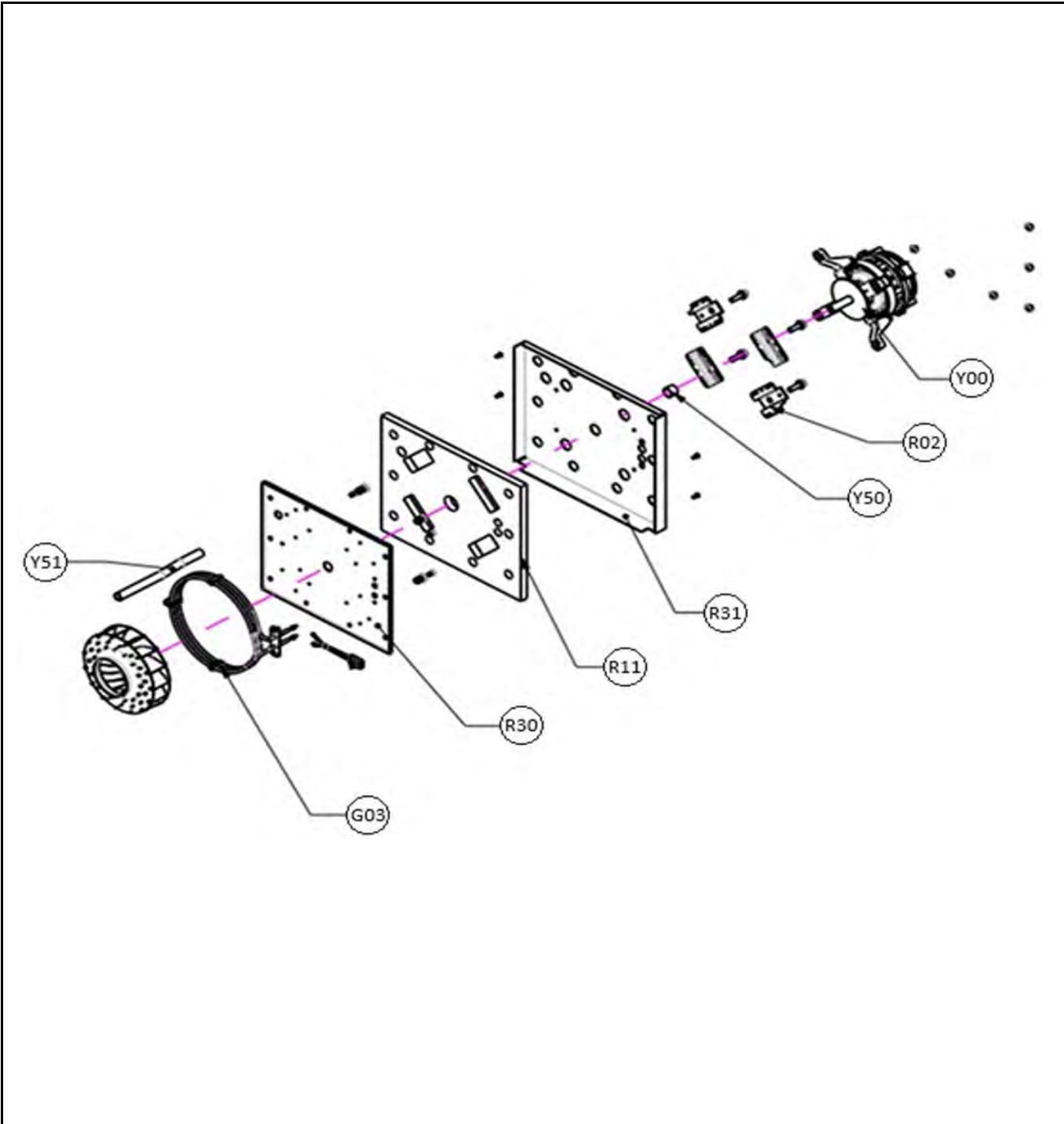


Hendi B.V.
Innovatielaan 6
6745 XW De Klomp
The Netherlands


Batch #	Appliance part#
000000 and up	281277

Description
High-speed Oven

Date	08-08-2025	Revision #	V.01
Revision	First Bill of Materials (BOM)		



Bill of materials (BOM)

 HENDI <small>Tools for Chefs</small> Hendi B.V. Steenoven 21 3911 TX Rhenen The Netherlands	Batch #	Appliance part#
	000000 and up	281277
	Description	
	High-speed Oven	

Date	08-08-2025	Revision #	V.01
Revision	First Bill of Materials (BOM)		

Item	Description	Part#	Quantity	Remark	Picture
G03	Heating element	969656	1		
R02	Bracket	n/a	4		
R11	Insulation	n/a	1		
R30	Insulation cover	n/a	1		
R31	Insulation holder	n/a	1		
Y00	Fan motor	969663	1		
Y50	Bushing	n/a	1		
Y51	Pipe	n/a	1		

n/a -> not available

nss -> not sold separately

Drawing



Tools for Chefs

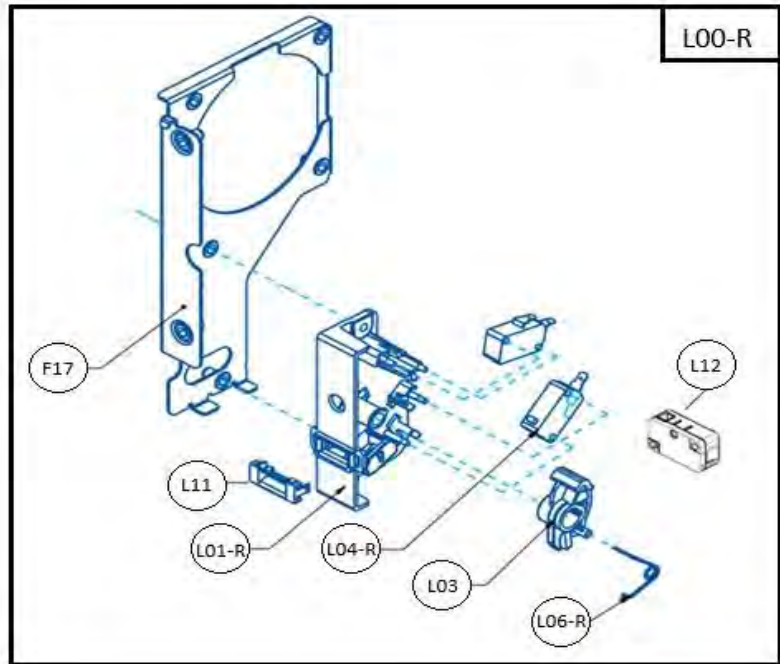
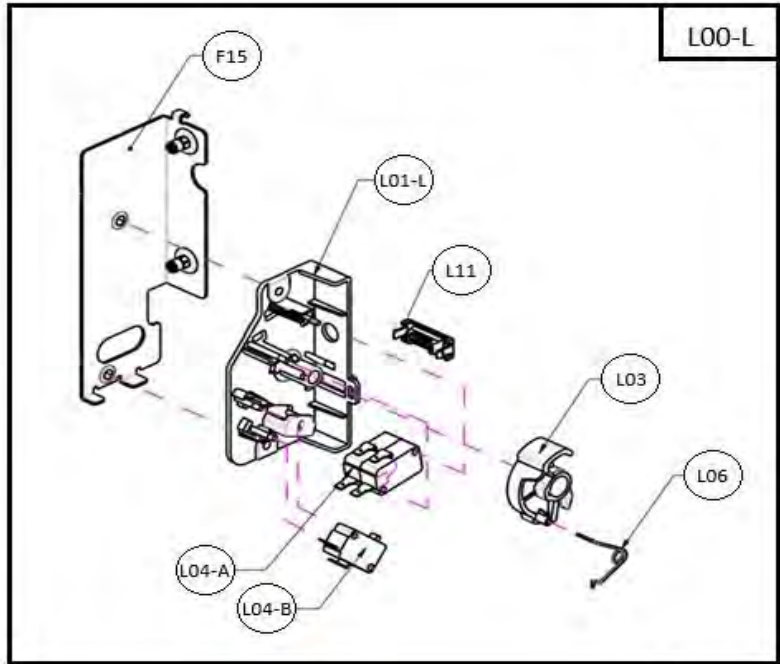
Hendi B.V.
Innovatielaan 6
6745 XW De Klomp
The Netherlands

Batch #
000000 and up


Appliance part#
281277

Description
High-speed Oven

Date	08-08-2025	Revision #	V.01
Revision	First Bill of Materials (BOM)		



Bill of materials (BOM)

 HENDI <small>Tools for Chefs</small> Hendi B.V. Steenoven 21 3911 TX Rhenen The Netherlands	Batch #	Appliance part#
	000000 and up	281277
	Description	
High-speed Oven		


Date	08-08-2025	Revision #	V.01
Revision	First Bill of Materials (BOM)		

Item	Description	Part#	Quantity	Remark	Picture
F15	Bracket (left)	n/a	1		
F17	Bracket (right)	n/a	1		
L01-L	Latch board (left)	n/a	1		
L01-R	Latch board (right)	n/a	1		
L03	Interlock lever	n/a	1		
L04-A	Microswitch A	969670	1		
L04-B	Microswitch B	969687	2		
L04-R	Microswitch C	969694	1		
L06	Interlock lever spring (left)	n/a	1		
L06-R	Interlock lever spring (right)	n/a	1		
L11	Plastic bracket	n/a	2		
L12	Microswitch gasket	n/a	1		

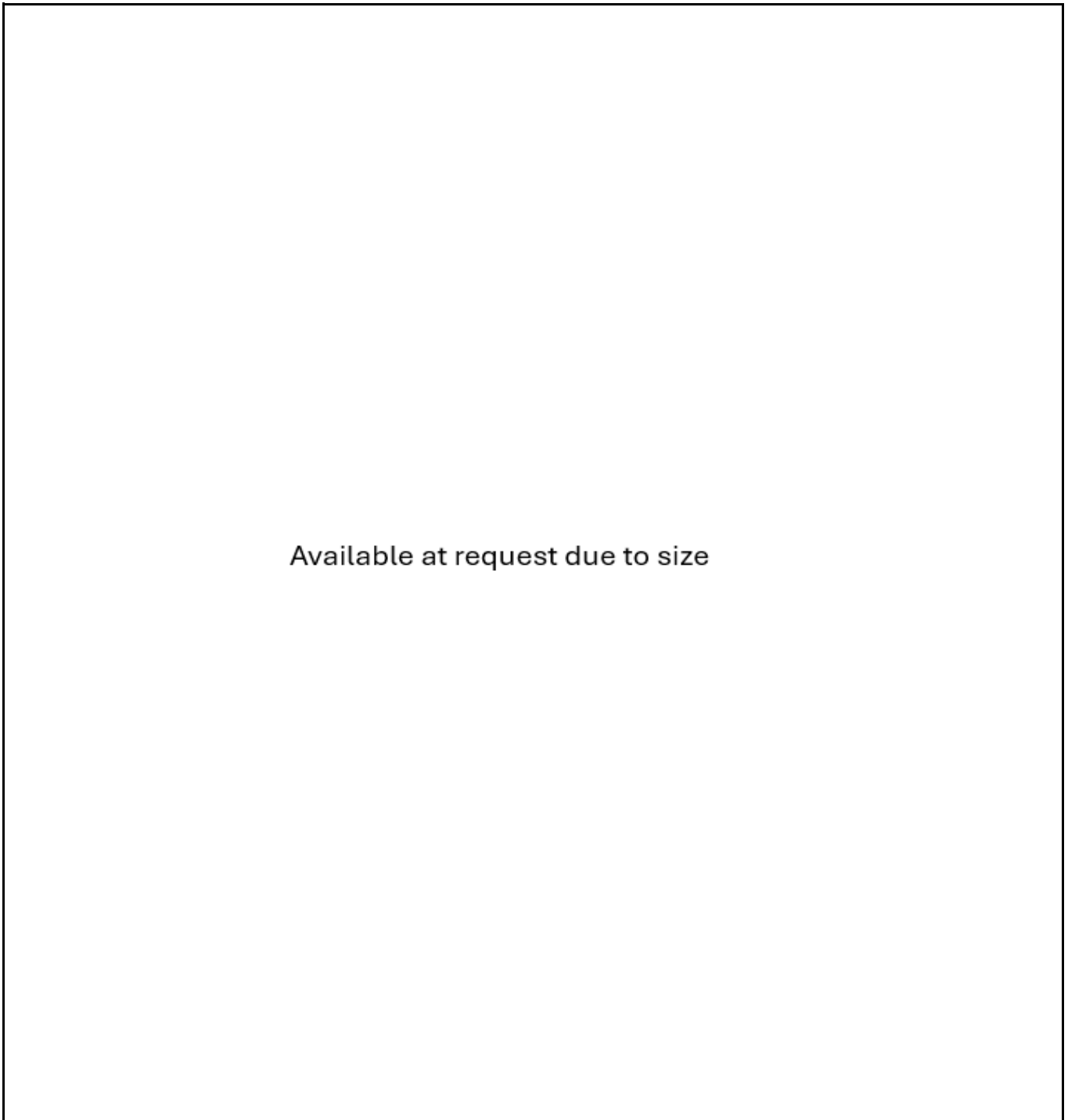
n/a -> not available

nss -> not sold separately

Circuit diagram

 HENDI Tools for Chefs Hendi B.V. Steenoven 21 3911 TX Rhenen The Netherlands	Batch #	Appliance part#
	000000 and up	281277
	Description	
	High-speed Oven	

Date	08-08-2025	Revision #	V.01
Revision	First Bill of Materials (BOM)		





HENDI

Tools for Chefs

Hendi B.V.

Steenoven 21
3911 TX Rhenen
The Netherlands

Batch #

000000 and up

Appliance part#

281277

Description

High-speed Oven

Date	08-08-2025	Revision #	V.01
Revision	First Bill of Materials (BOM)		

