

Drawing



Tools for Chefs

Hendi B.V.

Innovatielaan 6  
6745 XW De Klomp  
The Netherlands

Batch #

000000 and up

Appliance part#

240458

Description

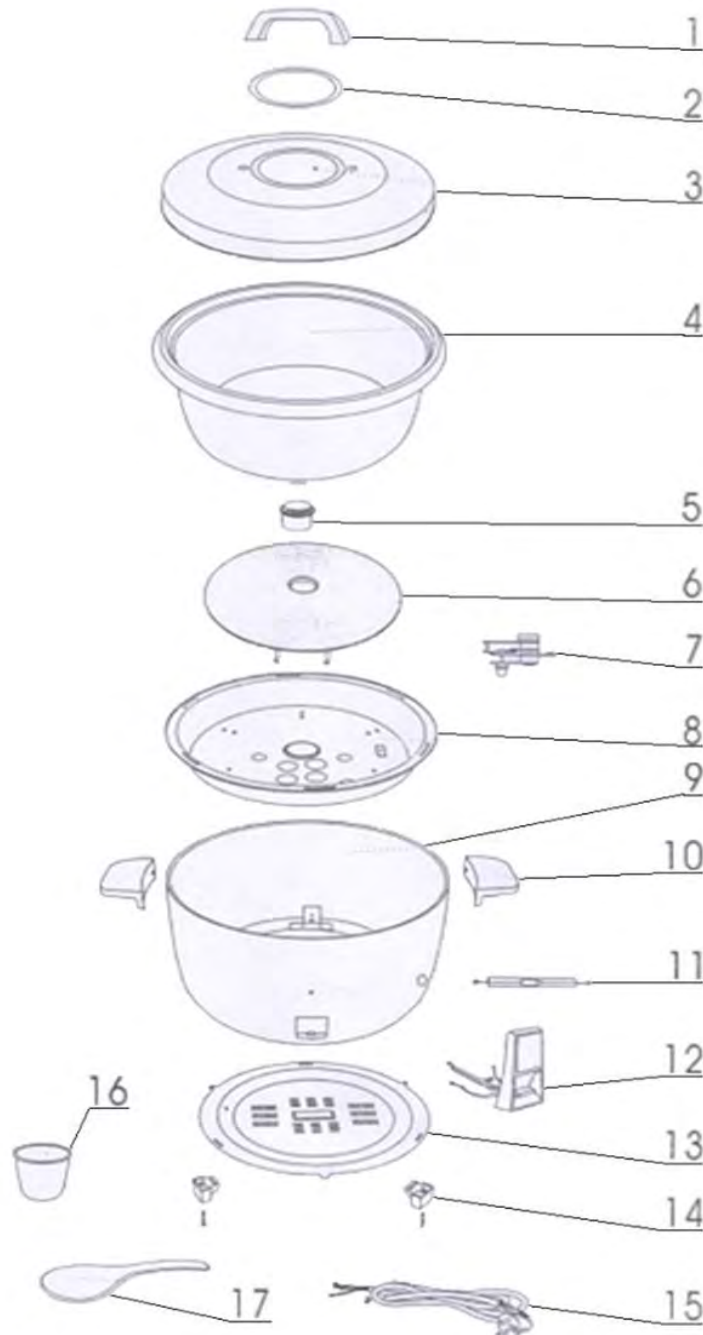
Rice steamer 10L

Date 03-04-2025


Revision #

1.0

Revision First bill of materials (BOM).



**Bill of materials (BOM)**

 <b>HENDI</b> <small>Tools for Chefs</small> <b>Hendi B.V.</b> Innovatielaan 6 6745 XW De Klomp The Netherlands	<b>Batch #</b>	<b>Appliance part#</b>
	000000 and up	<b>240458</b>
	<b>Description</b>	
	Rice steamer 10L	


<b>Date</b>	03-04-2025	<b>Revision #</b>	1.0
<b>Revision</b>	First bill of materials (BOM).		

Item	Description	Part#	Quantity	Remark	Picture
1	Handle lid	959978	1	Handle only.	
2	Lid cover	n/a	1		
3	Lid	967928	1	Incl item 1 and 2	
4	Aluminum pot	960134	1		
5	Thermo switch (magnetic)	960141	1		
6	Heating element	960158	1		
7	Thermostat	960165	1		
8	Mounting bracket	n/a	1		
9	Housing	n/a	1		
10	Handle	959985	2	Set of 2 pcs	
11	Thermal fuse	960042	1		
12	Switch (complete set)	960172	1		
13	Housing cover	n/a	1		
14	Feet	960189	3	Set of 3 pcs	
15	Power cord	n/a	1		
16	Measuring cup	959992	1		
17	Spoon	n/a	1		

n/a -> not available

nss -> not sold separately

Circuit diagram

 <b>HENDI</b> Tools for Chefs <b>Hendi B.V.</b> Innovatielaan 6 6745 XW De Klomp The Netherlands	Batch #	Appliance part#
	000000 and up	240458
	Description	
	Rice steamer 10L	

Date	03-04-2025	Revision #	1.0
Revision	First bill of materials (BOM).		

