

Drawing



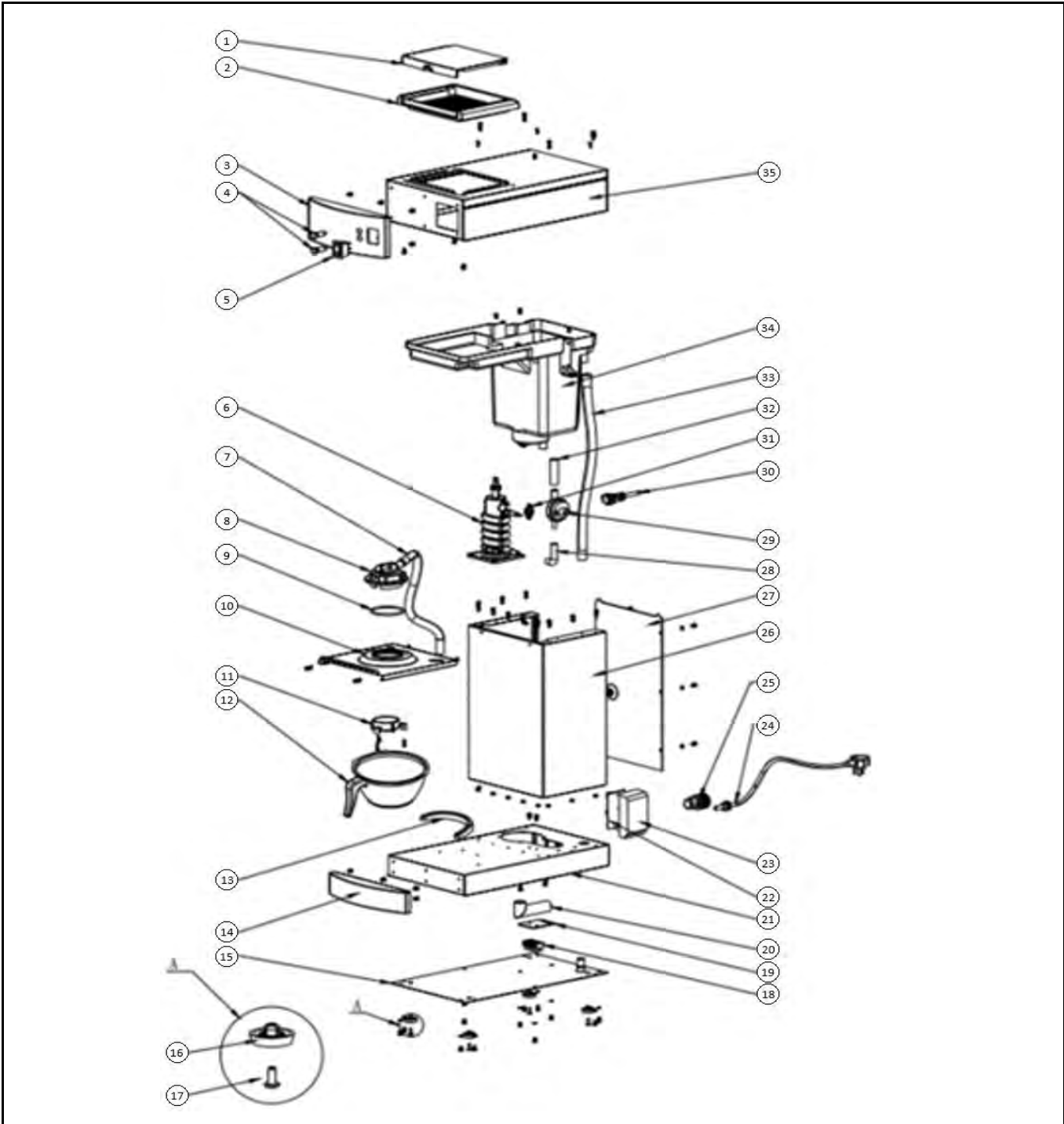
Tools for Chefs

Hendi B.V.
 Innovatielaan 6
 6745 XW De Klomp
 The Netherlands


Batch #	Appliance part#
000000 and up	211052

Description
Filter coffee maker

Date	13-05-2025	Revision #	1.0
Revision	First bill of materials (BOM).		



Bill of materials (BOM)

 HENDI Tools for Chefs Hendi B.V. Innovatielaan 6 6745 XW De Klomp The Netherlands	Batch #	Appliance part#
	000000 and up	211052
	Description	
Filter coffee maker		


Date	13-05-2025	Revision #	V.01
Revision	First bill of materials (BOM).		

Item	Description	Part#	Quantity	Remark	Picture
1	Water inlet cover	n/a	1		
2	Water inlet	n/a	1		
3	Front panel (top)	n/a	1		
4A	Indicator light (red)	966716	1		
4B	Indicator light (orange)	966723	1		
5	Switch	966846	1		
6	Boiler	966747	1		
7	Water tube	n/a	1		
8	Nozzle housing	n/a	1		
9	Nozzle housing seal	n/a	1		
10	Nozzle bracket	n/a	1		
11	Nozzle	n/a	1		
12	Filter holder complete	966754	1	Incl. item 968048	
12A	Filter insert	968048	1	Not shown in drawing.	
13	Jug bracket	n/a	1		
14	Front panel (bottom)	n/a	1		
15	Housing panel (bottom)	n/a	1		
16	Non-slip feet	966761	4	Incl. item 17, set of 4pcs	
17	Pin for feet	nss	4		
18	Terminal	n/a	1		
19	Insulation pad	n/a	1		
20	Drian pipe	n/a	1		
21	Housing frame (bottom)	n/a	1		
22	Main PCB	966853	1		
23	Main PCB housing	n/a	1		
24	Power cord	n/a	1		
25	Drain plug	966778	1		
26	Housing frame (middle)	n/a	1		
27	Housing panel (back)	n/a	1		
28	Water hose (inlet)	n/a	1		
29	Pressostat	966785	1		
30	Hi-limter (160°C, manual reset)	966792	1		
31	Hi-limiter (220°C, autoreset)	966730	1		
32	Water hose (outlet)	n/a	1		
33	Overflow pipe	n/a	1		
34	Water resservoir	n/a	1		
35	Haoung frame (top)	n/a	1		
*	Vaccum jug	448526	1	Not shown on drawing	

n/a -> not available

nss -> not sold separately

Circuit diagram

 HENDI <small>Tools for Chefs</small> Hendi B.V. Innovatielaan 6 6745 XW De Klomp The Netherlands	Batch #	Appliance part#
	000000 and up	211052
	Description	
	Filter coffee maker	

Date	13-05-2025	Revision #	1.0
Revision	First bill of materials (BOM).		

Coffee machine with PCB

