


# SERIE ST COMPACT

SOPORTES	DIMENSIONES	MOD. COMPATIBLES	
 <p><b>ST-C 200</b> Ref. 710471</p>	<p>(An)490 x (F)670 x (Al)200 mm.</p>	<p>STC 1011 V5 STC 611 V5 STC 411V5</p>	<p>STC 1011 E STC 611 E STC 411 E</p>
 <p><b>ST-C 400</b> Ref. 710472</p>	<p>(An)490 x (F)670 x (Al)400 mm.</p>	<p>STC 1011 V5 STC 611 V5 STC 411V5</p>	<p>STC 1011 E STC 611 E STC 411 E</p>
 <p><b>ST-C 650</b> Ref. 710473 Nº Guías - 7</p>	<p>(An)490 x (F)670 x (Al)650 mm.</p>	<p>STC 1011 V5 STC 611 V5 STC 411V5</p>	<p>STC 1011 E STC 611 E STC 411 E</p>
 <p><b>ST-C 850</b> Ref. 710474 Nº Guías - 10</p>	<p>(An)490 x (F)670 x (Al)850 mm.</p>	<p>STC 1011 V5 STC 611 V5 STC 411V5</p>	<p>STC 1011 E STC 611 E STC 411 E</p>
 <p><b>ST-C 650 B</b> Ref. 710475 Nº Guías - 7</p>	<p>(An)490 x (F)495 x (Al)650 mm.</p>	<p>STC 423 V5 ST 423 E</p>	
 <p><b>ST-C 850 B</b> Ref. 710476 Nº Guías - 10</p>	<p>(An)490 x (F)495 x (Al)850 mm.</p>	<p>STC 423 V5 ST 423 E</p>	
 <p><b>STC 200 W</b> Ref. 710477</p>	<p>(An)700 x (F)495 x (Al)200 mm.</p>	<p>STC 1011 V5 W STC 611 V5 W STC 411V5 W</p>	<p>STC 1011 EW STC 611 EW STC 411 EW</p>
 <p><b>STC 400 W</b> Ref. 710478</p>	<p>(An)700 x (F)495 x (Al)400 mm.</p>	<p>STC 1011 V5 W STC 611 V5 W STC 411V5 W</p>	<p>STC 1011 EW STC 611 EW STC 411 EW</p>
 <p><b>STC 650 W</b> Ref. 710479 Nº Guías - 8</p>	<p>(An)700 x (F)495 x (Al)650 mm.</p>	<p>STC 1011 V5 W STC 611 V5 W STC 411V5 W</p>	<p>STC 1011 EW STC 611 EW STC 411 EW</p>
 <p><b>STC 850 W</b> Ref. 710480 Nº Guías - 8</p>	<p>(An)700 x (F)495 x (Al)850 mm.</p>	<p>STC 1011 V5 W STC 611 V5 W STC 411V5 W</p>	<p>STC 1011 EW STC 611 EW STC 411 EW</p>
 <p>Ref. 710286</p>	<p>SUPLEMENTO RUEDAS PARA SOPORTES</p>		

# ACCESORIOS

## CAMPANAS



Incluye:  
- Motor de extracción  
- Condensador de vapores

### COMPACT STC-1/1

Ref. 710481

(An)630 x (F)950 x (Al)235 mm.

STC 411V5  
STC 611V5  
STC 1011 V5

STC 411E  
STC 611E  
STC 1011 E

### COMPACT STC-2/3

Ref. 710482

(An)630 x (F)775 x (Al)235 mm.

STC 423 V5  
STC 423 E

### COMPACT STC-W 1/1

Ref. 710483

(An)720 x (F)620 x (Al)235 mm.

STC 411 V5W  
STC 611 V5  
STC 1011 V5

STC 411 E  
STC 611 E  
STC 1011 E

Conexión salida de humo ø 120 mm.

## KIT CONDENSADOR DE VAPORES



### ST COMPACT

Ref. 710487

(An)530 x (F)475 x (Al)235 mm.

STC 411V5  
STC 611V5  
STC 1011 V5

STC 411E  
STC 611E  
STC 1011 E

### ST-W COMPACT

Ref. 710488

(An)720 x (F)330 x (Al)235 mm.

STC 411 V5W  
STC 611 V5W  
STC 1011 V5W

STC 411 E  
STC 611 E  
STC 1011 E

## KIT PRIMERA INSTALACIÓN



Ref. 710434

El kit de primera instalación incluye:  
- Tubos, racorería, adaptadores y accesorios necesarios para la instalación del horno.  
- 1 litro detergente y abrillantador fm

## KIT SUPERPOSICIÓN



### COMPACT ST-1/1

Ref. 710484

(An)530 x (F)795 x (Al)80 mm.

STC 411V5  
STC 611V5  
STC 1011 V5

STC 411E  
STC 611E  
STC 1011 E

### COMPACT ST-W 1/1

Ref. 710486

(An)720 x (F)620 x (Al)80 mm.

STC 411 V5W  
STC 611 V5W  
STC 1011 V5W

STC 411 E  
STC 611 E  
STC 1011 E

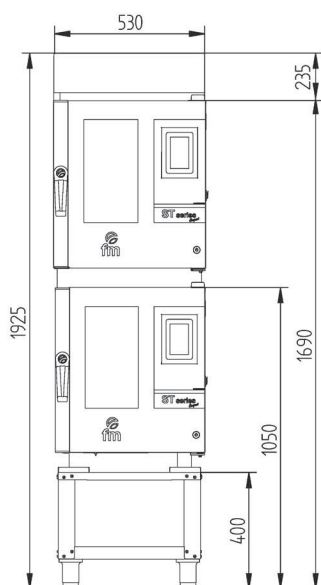
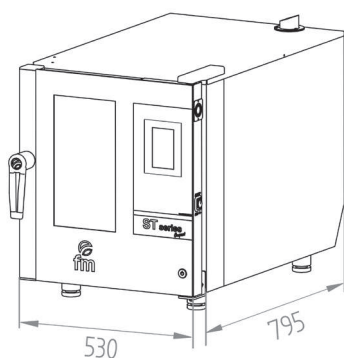
### COMPACT ST-2/3

Ref. 710485

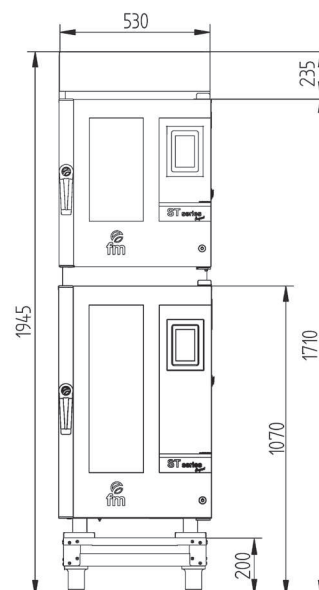
(An)530 x (F)620 x (Al)80 mm.

STC 423 V5  
STC 423 E

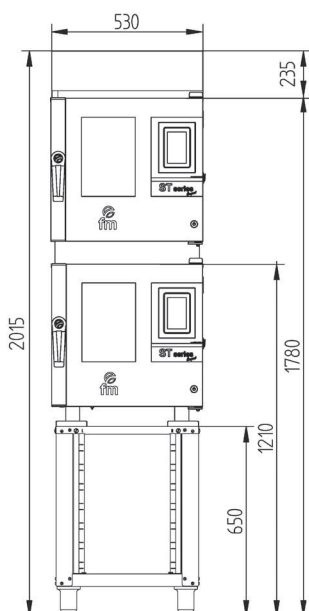
# COMPOSICIONES ST COMPACT



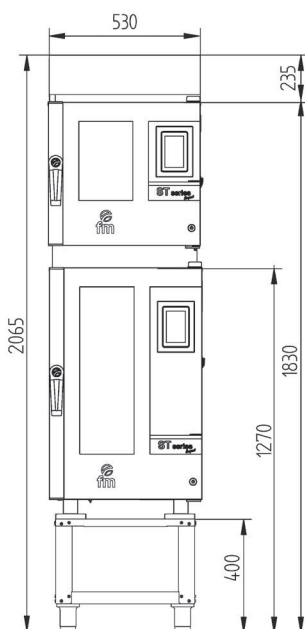
CAMPANA COMPACT STC-1/1  
ST-C611 V5  
ST-C611 V5  
SOPORTE ST-C400  
KIT SUPERPOSICIÓN STC-1/1



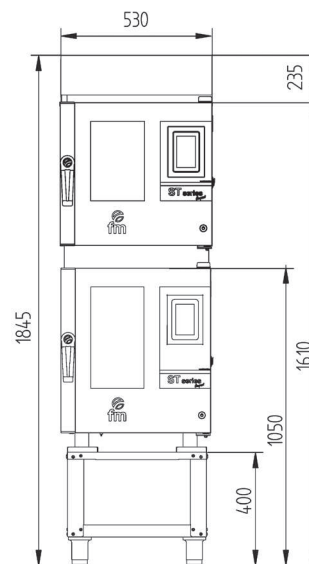
CAMPANA COMPACT STC-1/1  
ST-C611 V5  
ST-C1011 V5  
SOPORTE ST-C200  
KIT SUPERPOSICIÓN STC-1/1



CAMPANA COMPACT STC-1/1  
ST-C411 V5  
ST-C411 V5  
SOPORTE ST-C650  
KIT SUPERPOSICIÓN STC-1/1

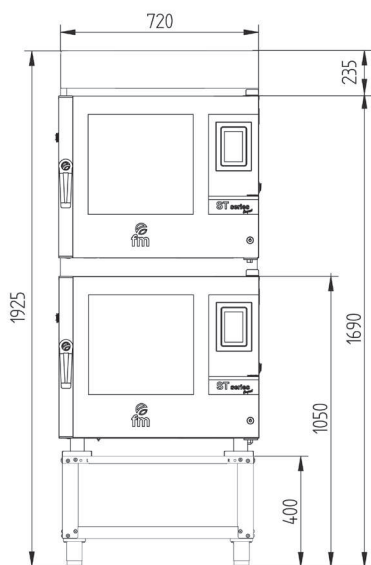


CAMPANA COMPACT STC-1/1  
ST-C411 V5  
ST-C1011 V5  
SOPORTE ST-C400  
KIT SUPERPOSICIÓN STC-1/1

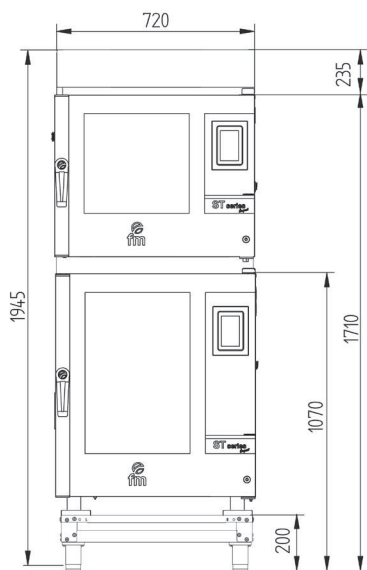


CAMPANA COMPACT STC-1/1  
ST-C411 V5  
ST-C611 V5  
SOPORTE ST-C400  
KIT SUPERPOSICIÓN STC-1/1

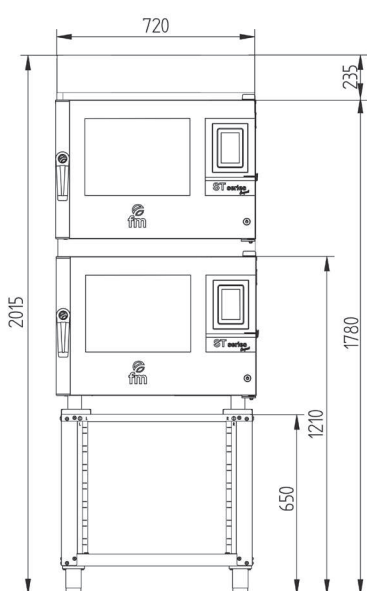
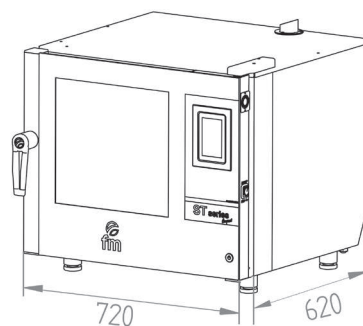
# COMPOSICIONES ST COMPACT W



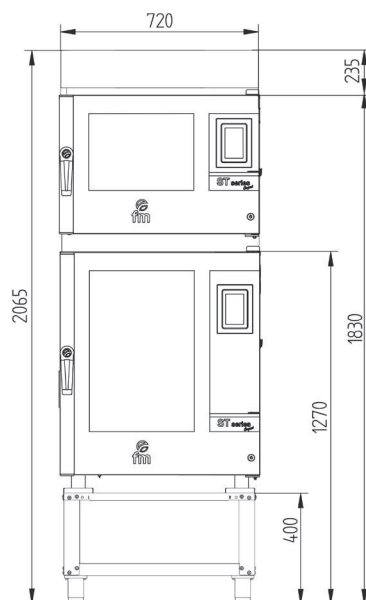
CAMPANA COMPACT STC-W  
ST-E611 V5 W  
ST-E611 V5 W  
SOPORTE STC-400 W  
KIT SUPERPOSICIÓN STC-W



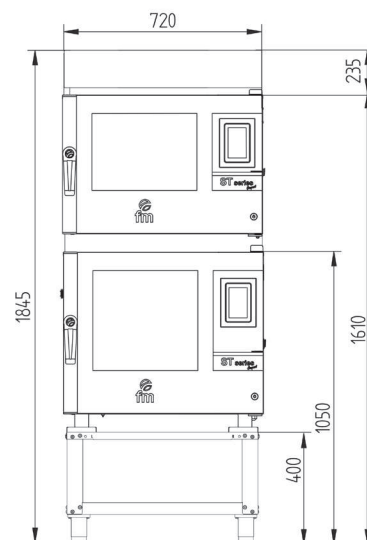
CAMPANA COMPACT STC-W  
ST-E611 V5 W  
ST-L1011 V5 W  
SOPORTE STC-200 W  
KIT SUPERPOSICIÓN STC-W



CAMPANA COMPACT STC-W  
ST-C411 V5 W  
ST-C411 V5 W  
SOPORTE STC-650 W  
KIT SUPERPOSICIÓN STC-W



CAMPANA COMPACT STC-W  
ST-C411 V5 W  
ST-L1011 V5 W  
SOPORTE STC-400 W  
KIT SUPERPOSICIÓN STC-W



CAMPANA COMPACT STC-W ST-  
C411 V5 W  
ST-E611 V5 W  
SOPORTE STC-400 W  
KIT SUPERPOSICIÓN STC-W