

NEW

Camshelving® Wine Racks & Cradle Kits

Cheers to Enhanced Wine Storage

Ultra Hygienic · Easy to Clean · Highly Durable



CAMBRO
TRUSTED DURABILITY



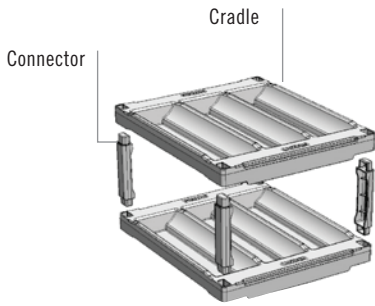
Hosteleria10.com

Camshelving® Wine Rack Units

A high-performance alternative to wire, metal or wood racks. Stack and store up to 144 each standard size wine bottles in a compact vertical space. Ideal for bulk wine storage anywhere, especially in wine/beverage coolers. Made of highly durable plastic material, these racks will never rust, corrode, peel or dent. Finally! Sanitary, well-organized storage of wine bottles.



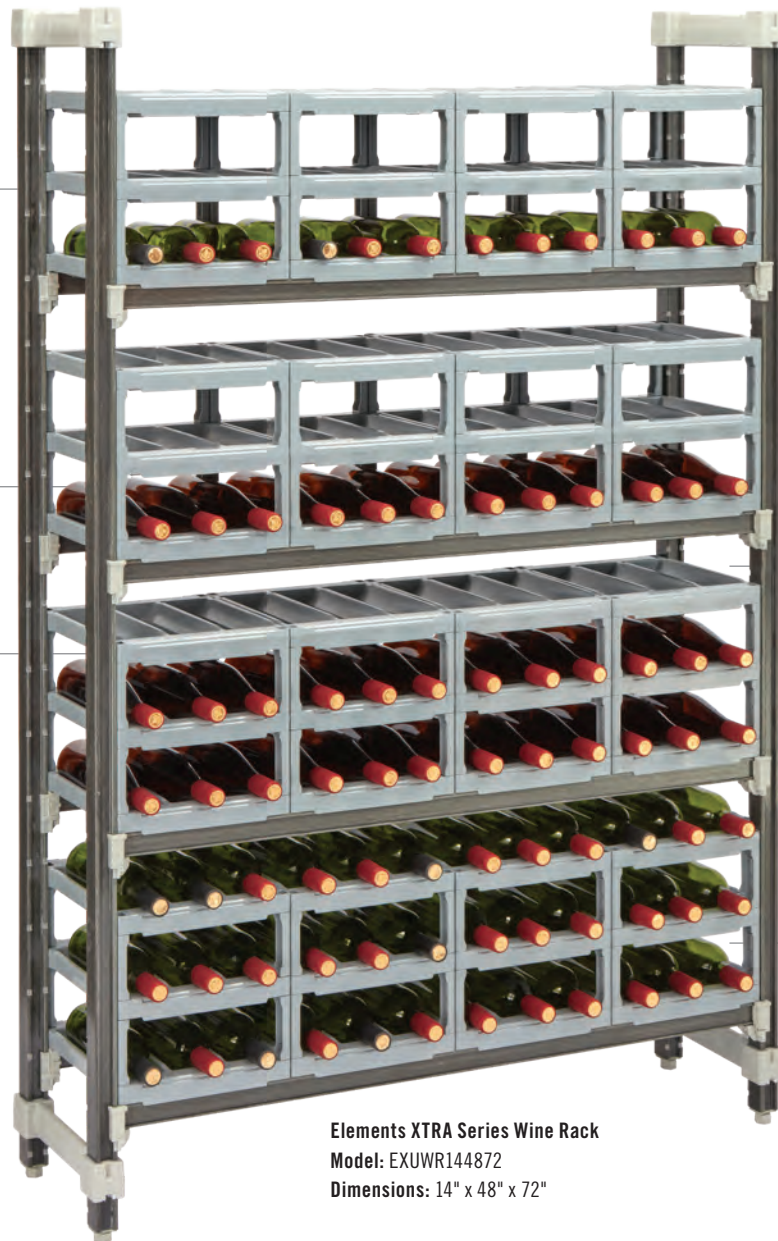
Smooth plastic surfaces reduce the risk of label damage.



Ships knockdown complete in 1 box. Includes factory assembled post frames. Easy to assemble.

Bottles store flat to keep corks moist.

Wine Cradles and Connectors made of extremely durable ABS plastic.



Unique cradle design allows for open air flow around stored bottles.



Open space between a single stack/row of cradles and next traverse is approximately 5 1/4", wide enough for large champagne bottles and magnums.



Open space between stacked cradles is 3 1/16" which fits a standard size wine bottle.

Elements XTRA Series Wine Rack
Model: EXUWR144872
Dimensions: 14" x 48" x 72"

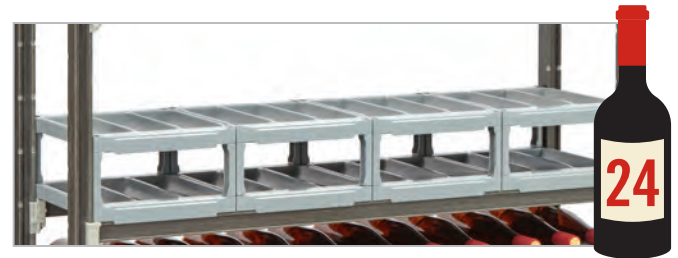
Camshelving® Wine Cradle Kits

Camshelving Wine Cradles are flexible to your needs. Compatible with 14" or 18" deep Camshelving units, wine cradles can replace shelf plates on existing shelving when more storage is necessary. Standard shelves fit above and below one shelf of wine cradles, allowing you to maximize storage capacity.

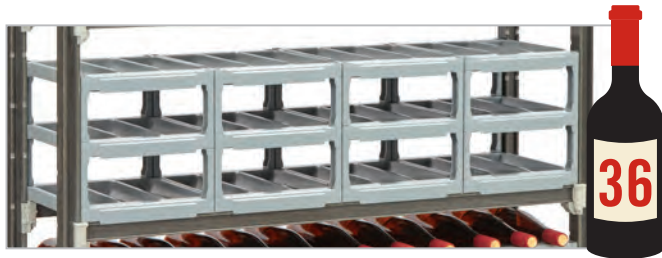
- Optimal shelf length four cradles installed side by side is 48".
- Five cradles also fit perfectly side by side on 60" long shelves.
- Maximum stack of cradles with connectors is 3 each to ensure bottles are stored safely.
- Install add on cradle kits to single or double stacked cradles to increase vertical storage.



Four Cradle Shelf Kits, Single Stack



Eight Cradle Shelf Kits, Double Stack



Twelve Cradle Shelf Kits, Triple Stack

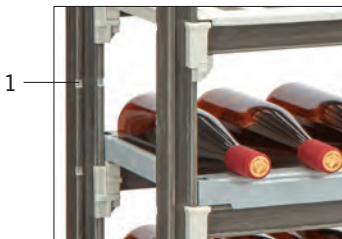


Single Cradle Add On Kits

Vertical Shelf Space Requirements

(Open Dovetail/Notches Between Installed Traverses)

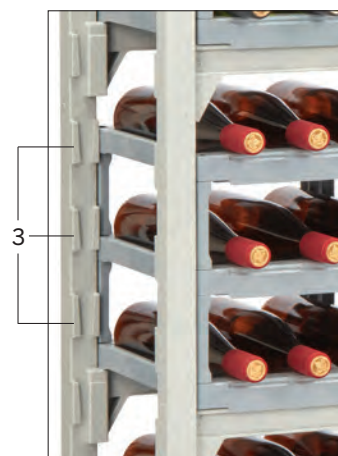
Single Stack
One Open
Dovetail/Notch



Double Stack
Two Open
Dovetails/Notches



Triple Stack
Three Open
Dovetails/Notches



Cheers to the Camshelving® Wine Storage System!

CAMSHELIVING® WINE RACK UNITS

CODE	DESCRIPTION	DIMENSIONS	HOLDING CAPACITY
CPUWR144872	Premium Series Stationary Wine Rack Unit	14" x 48" x 72"	144 Standard Bottles of Wine (750 ml)
EXUWR144872	Elements XTRA Stationary Wine Rack Unit	14" x 48" x 72"	144 Standard Bottles of Wine (750 ml)

Color: Speckled Gray (480). **Each UNIT includes:** 2 Factory Assembled Post Frames, 8 Traverses, 48 each Wine Cradles, 32 Bags of Cradle Connectors.

CAMSHELIVING® WINE CRADLE KITS

CODE	DESCRIPTION	DIMENSIONS D x W x H*	HOLDING CAPACITY
Single Cradle Add On Kits (Single Cradle with Bag of Connectors)			
CSWRKIT14P1	Wine Cradle Kit 14" Deep 1PK	13.28" x 11.16" x 1.5"	3 Bottles
CSWRKIT18P1	Wine Cradle Kit 18" Deep 1PK	17.28" x 11.16" x 1.5"	3 Bottles
Four Cradle Shelf Kits, Single Stack (Four Cradles, No Connectors)			
CSWRC14P4	Wine Cradles Only 14" Deep 4 EA	13.28" x 44.64" x 1.5"	12 Bottles
CSWRC18P4	Wine Cradles Only 18" Deep 4 EA	17.28" x 44.64" x 1.5"	12 Bottles
Eight Cradle Shelf Kits, Double Stack (Eight Cradles with 4 Bags of Connectors)			
CSWRKIT14P8	Wine Cradle Kit 14" Deep 8PK	13.28" x 44.64" x 6.3"	24 Bottles
CSWRKIT18P8	Wine Cradle Kit 18" Deep 8PK	17.28" x 44.64" x 6.3"	24 Bottles
Twelve Cradle Shelf Kits, Triple Stack (Twelve Cradles with 8 Bags of Connectors)			
CSWRKIT14P12	Wine Cradle Kit 14" Deep 12PK	13.28" x 44.64" x 11.26"	36 Bottles
CSWRKIT18P12	Wine Cradle Kit 18" Deep 12PK	17.28" x 44.64" x 11.26"	36 Bottles

Color: Soft Gray (151). *Overall length is based on 4 cradles installed side by side along 48" traverses.

Cradle Kits fit all Camshelving lines — Premium Series, Elements XTRA Series, and Basics Plus Series.

OPTIONAL ACCESSORIES

CODE	DESCRIPTION	DIMENSIONS D x L x H
CSFF	Floor Fastener	1.5" x 6.5" x 3.75"
CSWF	Wall Fastener	2.9" x 3.4" x 1.9"
CSDS14H6	Dunnage Stand	14" x 6.5"
CSID6	Identification Tag	6" x 1"
CSID3	Identification Tag	3" x 1"

Colors: Floor and Wall Fastener Stainless Steel (000), Dunnage Stand Speckled Gray (480), Identification Tags White/Clear (000).