



**CODE: EMP.3004-13**

0.37 kw -220 motor power

550 mm bread length

1400 mm bread height

13 mm slice thickness

Quantity of blades 30

Stainless steel blades

Easy-to-operate arm system for bread slicing

Adjustable press system to height of bread

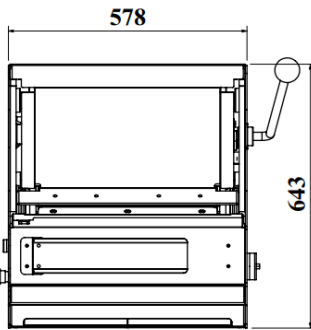
All surface is stainless steel

Adjustment arm provide to cut bread without breaking into pieces

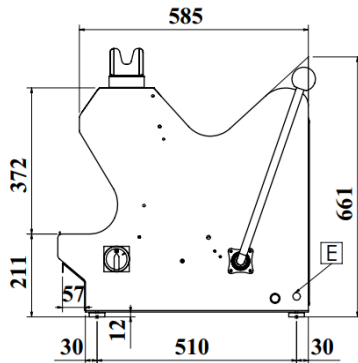
Automatic turning off after slicing

Body- electrostatic oven painted

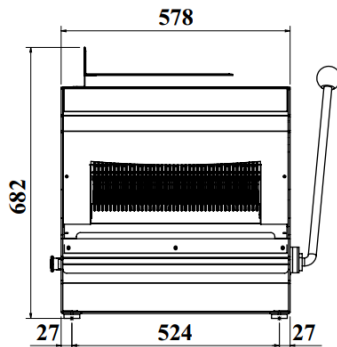
Top



Side



Front



E- Electric inlet

### Main information

Length	650 mm
Depth	650 mm
Height	700 mm
Net weight	
m <sup>3</sup>	0.61
Packed length	780 mm
packed depth	710 mm
packed height	820 mm
packed weight	115 kg
Total power	0.37 kW - 220 V
Slice thickness	13 mm