
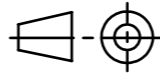
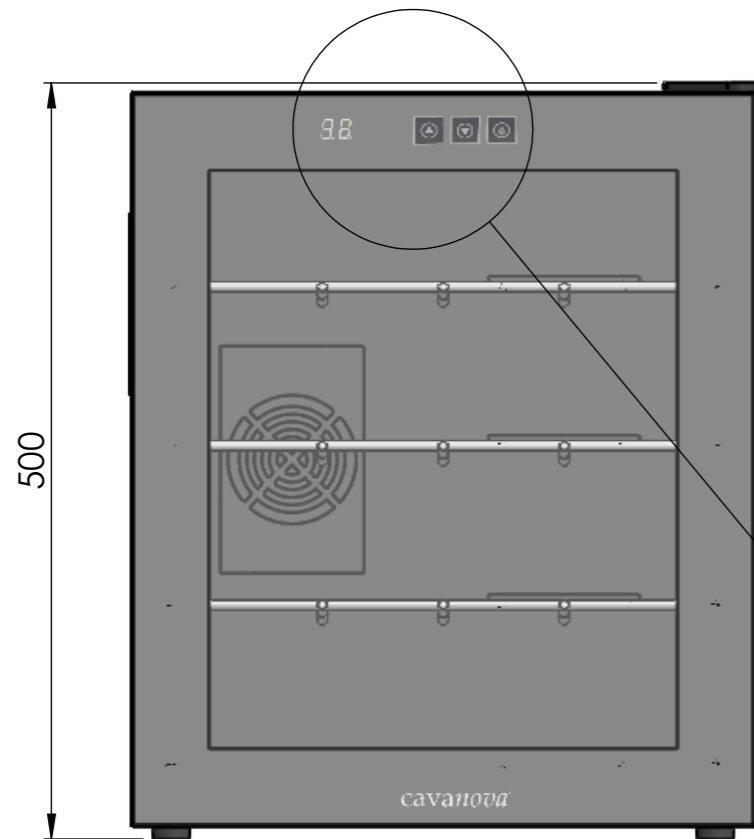




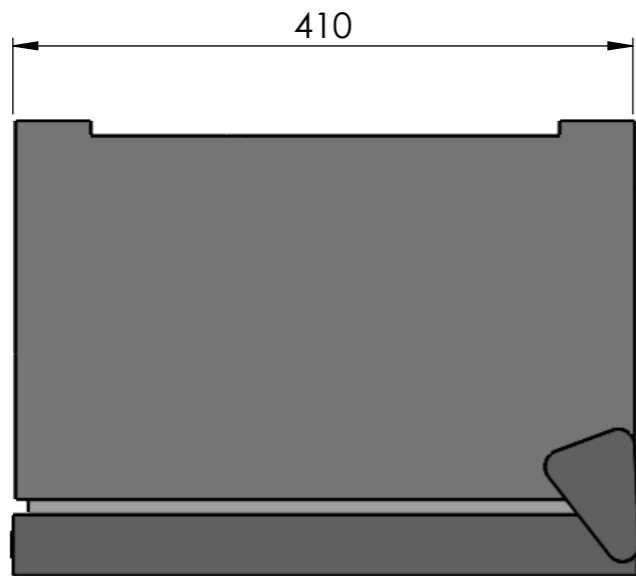
# CV004P

Notes:

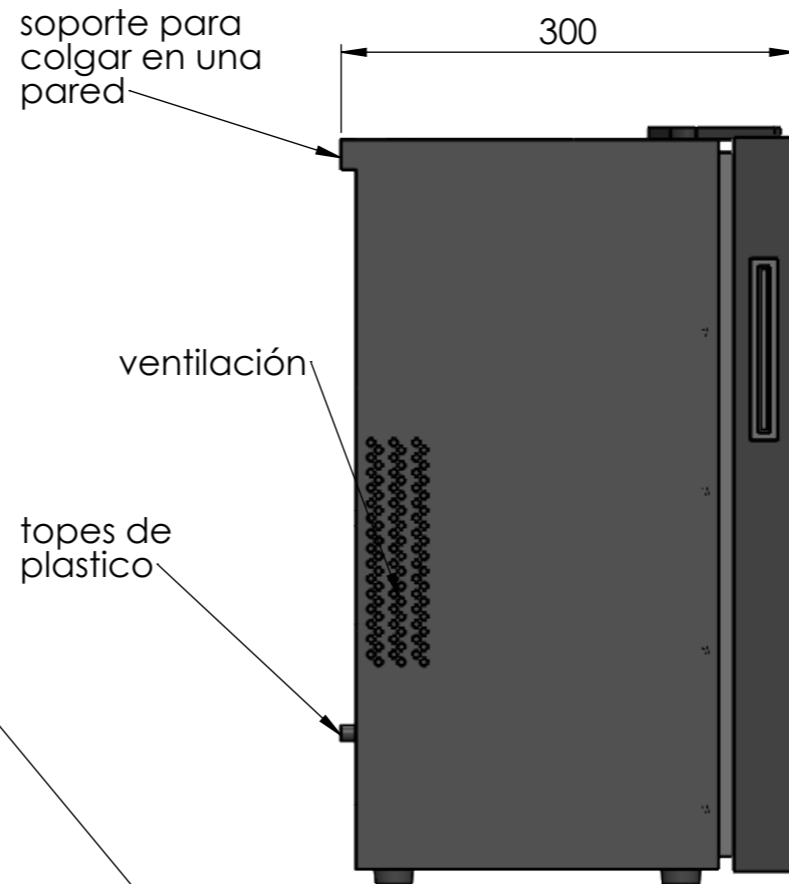
	Date	Name	 <small>THE INFORMATION CONTAINED IN THIS DRAWING IS THE SOLE PROPERTY OF CAVANOVA. ANY REPRODUCTION IN PART OR AS A WHOLE WITHOUT THE WRITTEN PERMISSION OF CAVANOVA IS PROHIBITED.</small>
Design:	03/12/2018	Diego	
Checked:		Diego	
Modified:		Diego	
Scale: 1:10	Part name: CV004P		Top assembly: CV004P
	Description:		Client:
	Vinoteca para 4 botellas		Material:
			Reference: CV004P
			Count:
			Pages: 1 OF 4



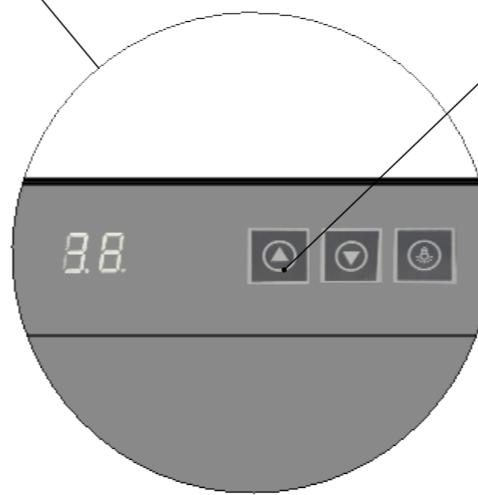
ALZADO



PLANTA



PERFIL



Control táctil



DATOS TÉCNICOS	
Volumen	14L
Botellas	4 botellas
Frecuencia	50-60Hz
Consumo	0.35(15°C)
Voltaje	220/240-110/115V
Ruido	38db
Humedad interior	>70% RH
Sistema de frío	termoeléctrico
Rango de temperatura	12-18°C

	Date	Name
Design:	03/12/2018	Diego
Checked:		Diego
Modified:		Diego

**cavanova**

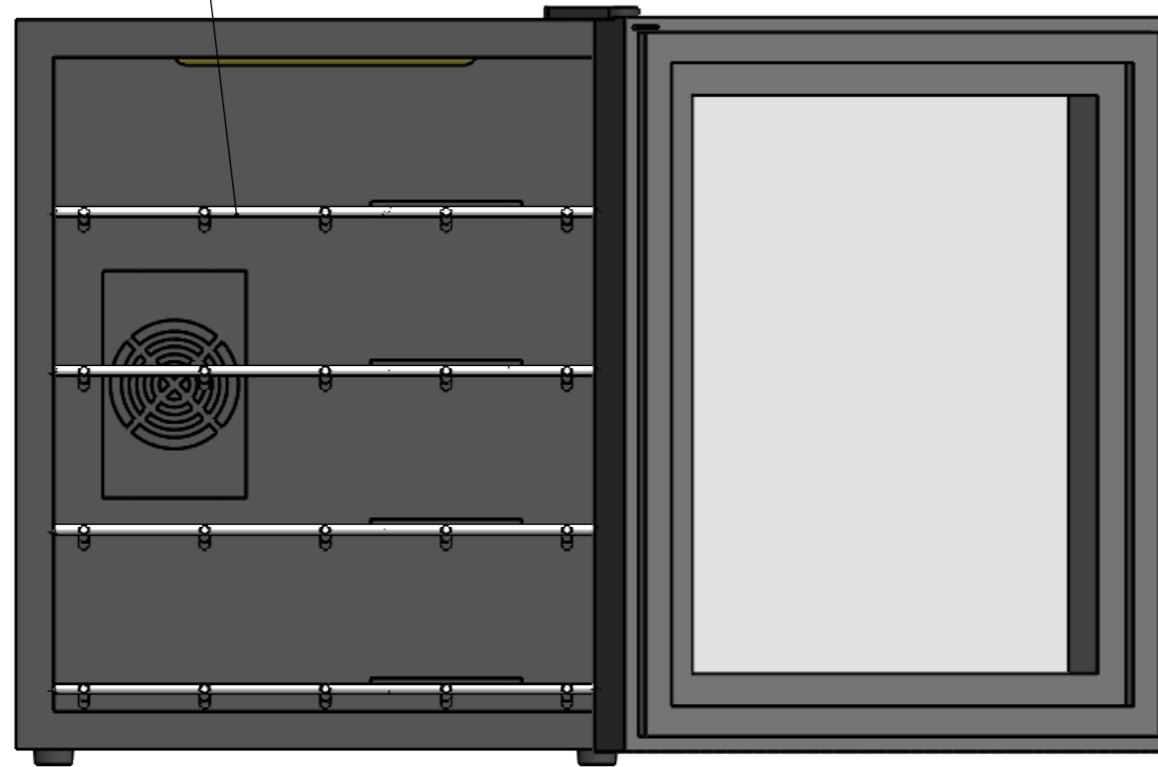
THE INFORMATION CONTAINED IN THIS DRAWING IS THE SOLE PROPERTY OF CAVANOVA WINE S.L. IN MÁLAGA, SPAIN. ANY REPRODUCTION IN PART OR AS A WHOLE WITHOUT THE WRITTEN PERMISSION OF CAVANOVA WINE S.L. IS PROHIBITED.

Sign: \_\_\_\_\_

Scale: 1:10	Part name: CV004P	Top assembly: CV004P
Unit:	Description: Vinoteca para 4 botellas	

Client:
Material:
Reference: CV004P
Count:
Pages: 2 OF 4

4 baldas cromadas

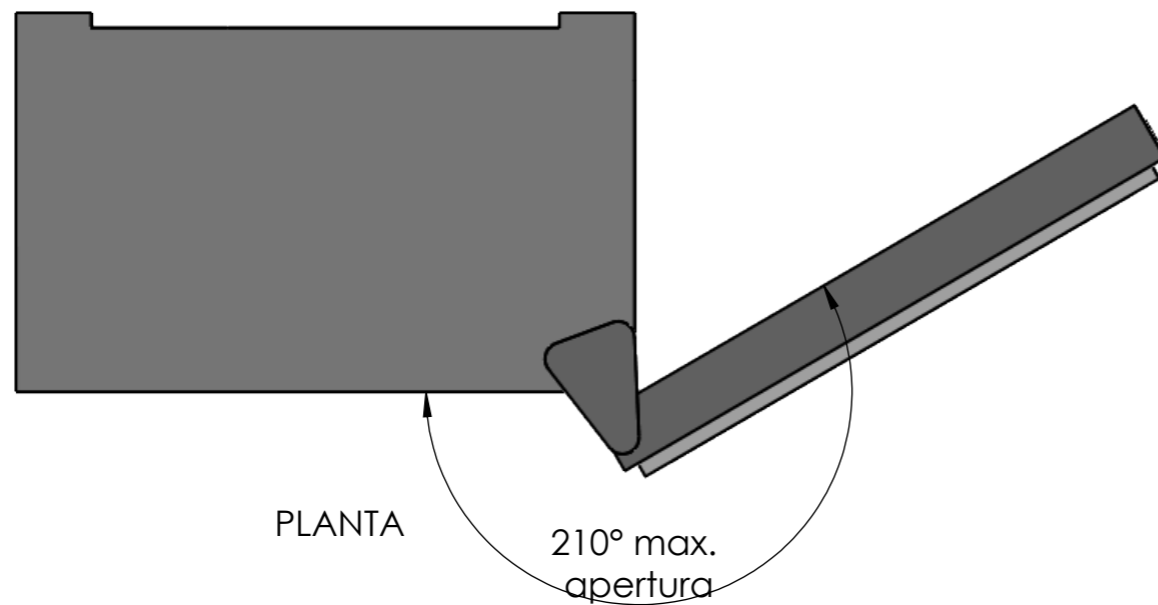
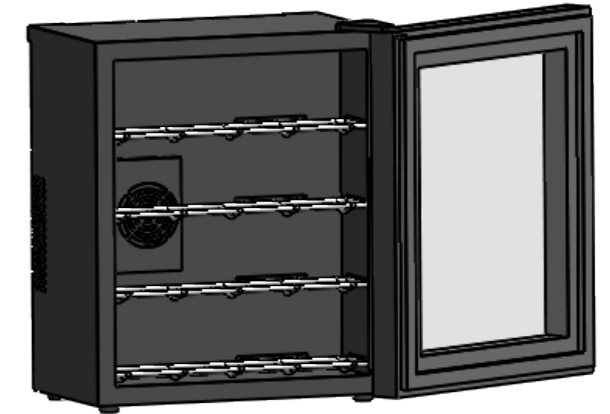
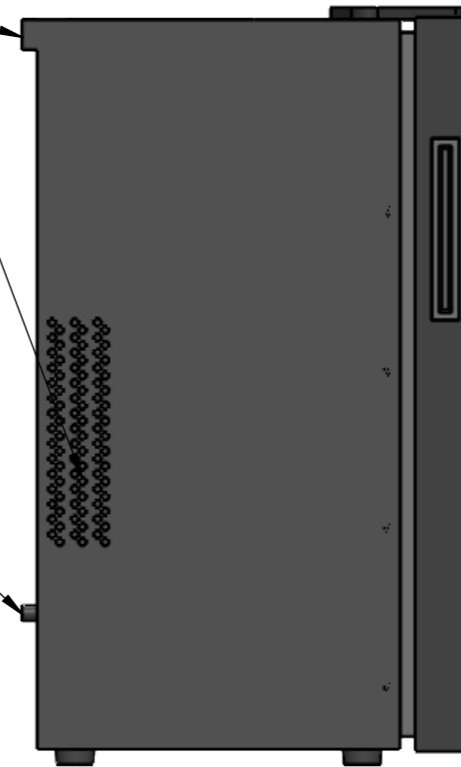


ALZADO

soporte para colgar en una pared

ventilación

topes de plastico


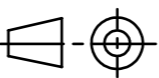


PLANTA

210° max. apertura

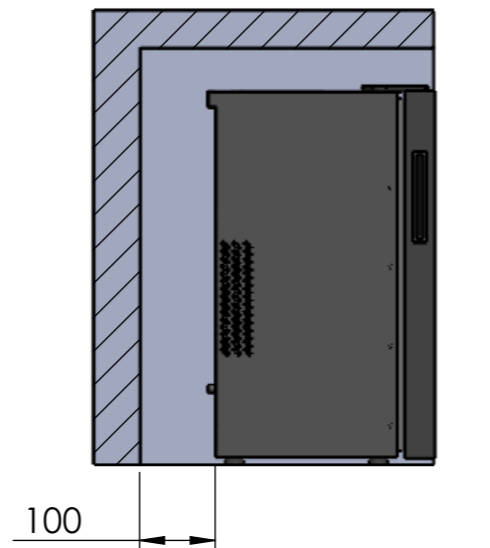
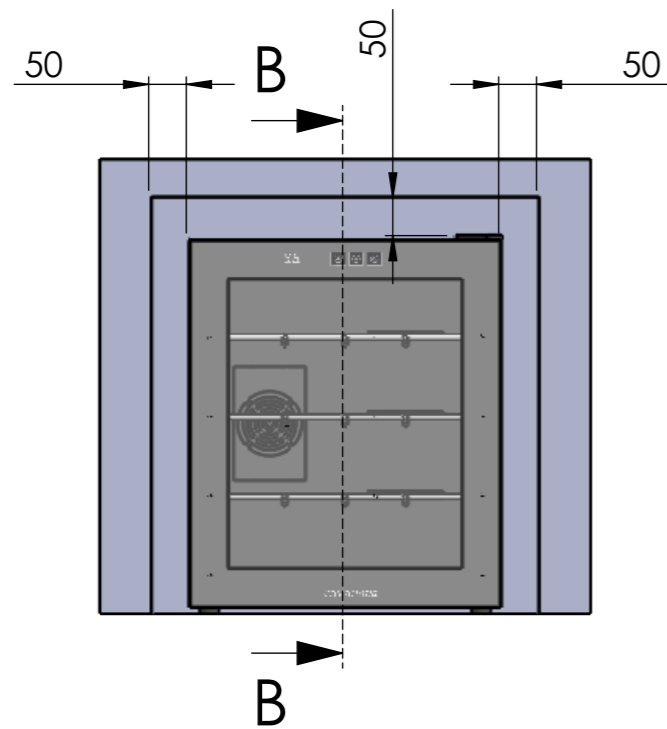
DATOS TÉCNICOS

Volumen	14L
Botellas	4 botellas
Frecuencia	50-60Hz
Consumo	0.35(15°C)
Voltaje	220/240-110/115V
Ruido	38db
Humedad interior	>70% RH
Sistema de frío	termoeléctrico
Rango de temperatura	12-18°C

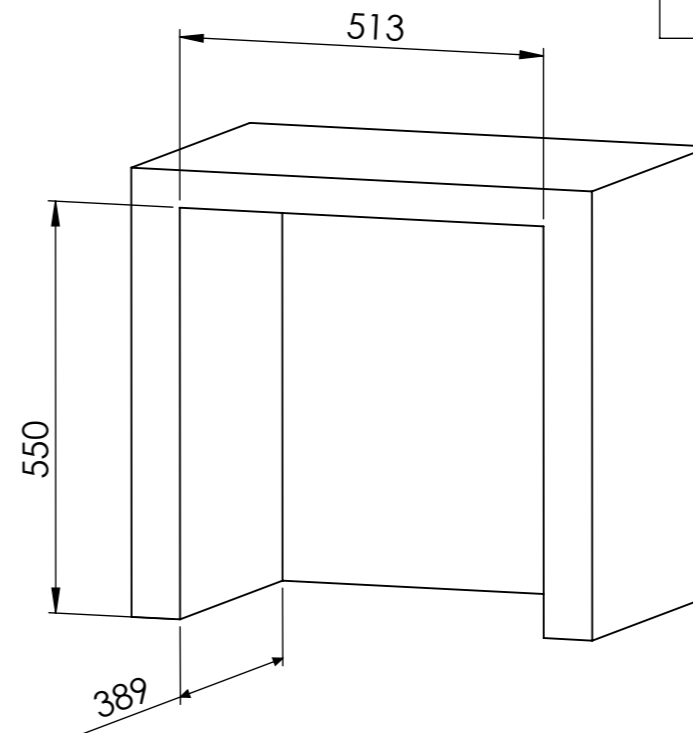
	Date	Name	 <small>THE INFORMATION CONTAINED IN THIS DRAWING IS THE SOLE PROPERTY OF CAVANOVA WINE S.L. IN MÁLAGA, SPAIN. ANY REPRODUCTION IN PART OR AS A WHOLE WITHOUT THE WRITTEN PERMISSION OF CAVANOVA WINE S.L. IS PROHIBITED.</small>	
Design:	03/12/2018	Diego		
Checked:		Diego		
Modified:		Diego		
Scale: 1:10	Part name: CV004P		Top assembly: CV018M	
Unit:				
Sign: 	Description:		Client:	
	Apertura de puerta		Material:	
			Reference: CV004P	
			Count:	
		Pages: 3 OF 4		

MEDIDAS RECOMENDADAS	
ALTURA	50mm de margen
ANCHURA	50mm por cada lado
PROFUNDIDAD	100mm de margen

**DENTRO DE UN MUEBLE**

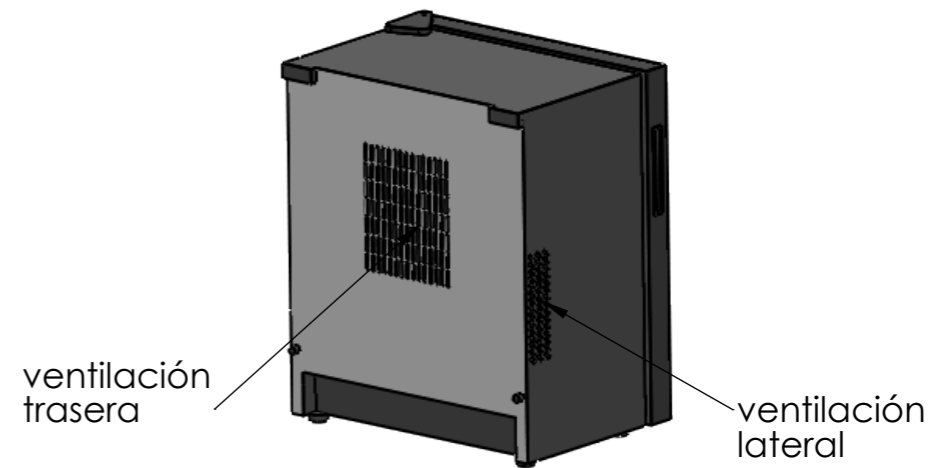
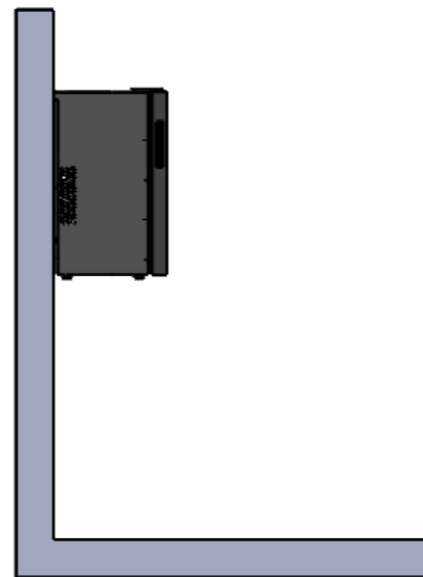
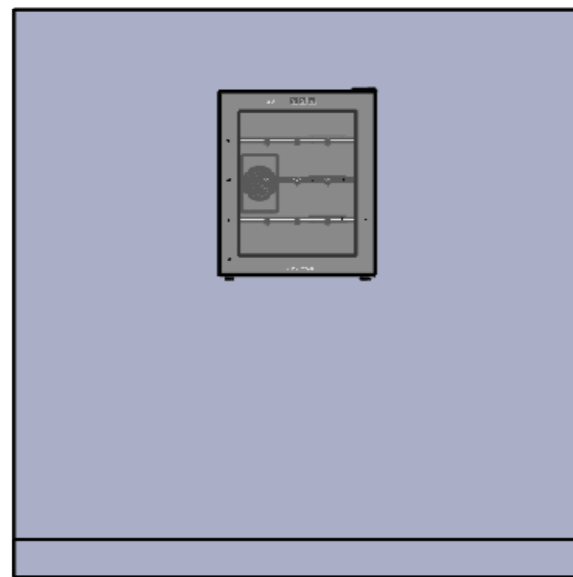



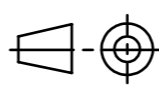
**SECCIÓN B-B**



**HUECO PARA VINOTECA**

**COLGADO EN UNA PARED**



Date	Name	 <small>THE INFORMATION CONTAINED IN THIS DRAWING IS THE SOLE PROPERTY OF CAVANOVA WINE S.L. IN MÁLAGA, SPAIN. ANY REPRODUCTION IN PART OR AS A WHOLE WITHOUT THE WRITTEN PERMISSION OF CAVANOVA WINE S.L. IS PROHIBITED.</small>		
Design: 09/10/2018	Diego			
Checked:	Diego	Part name: CV004P-ENTORNO	Top assembly: CV018M	Client: Cavanova
Modified:	Diego			Material: Varios
Scale: 1:10		Description: Empotramiento del equipo (built-in)	Reference: CV004P-ENTORNO	Count:
Unit: mm				Pages: 4 OF 4

Sign: