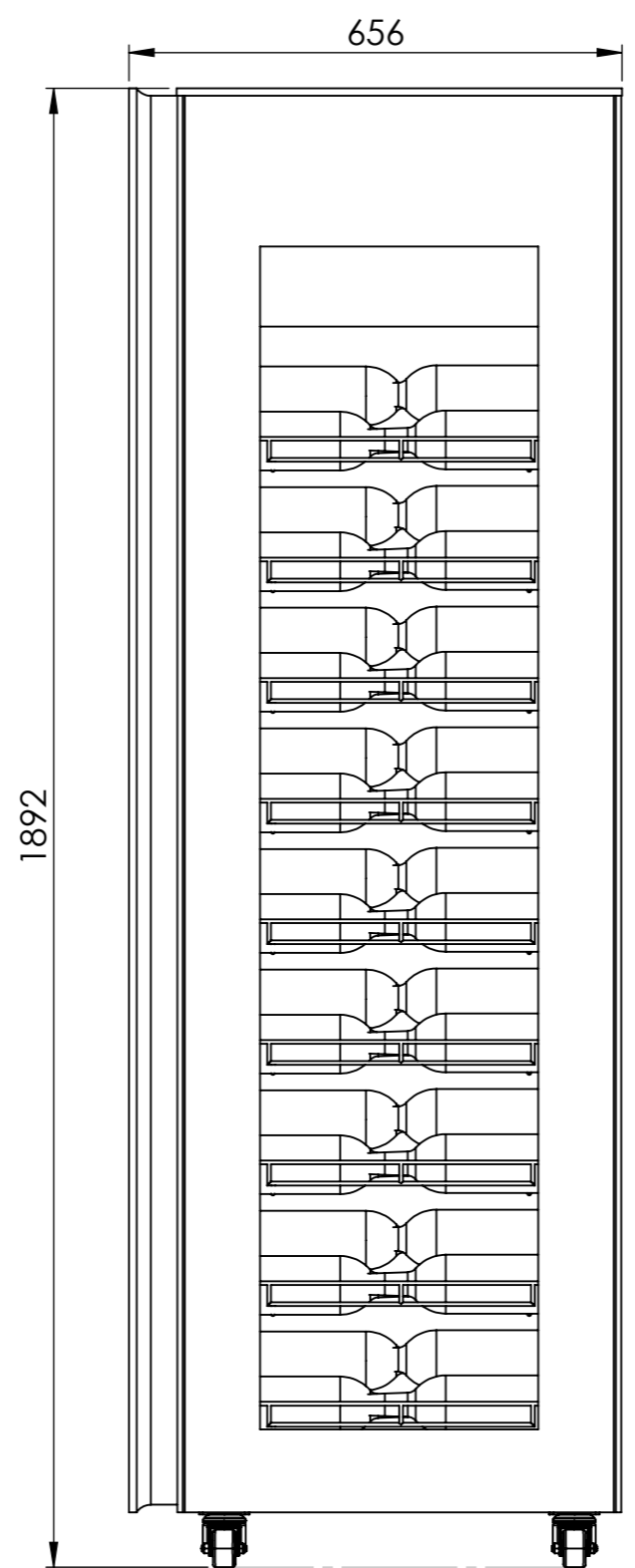
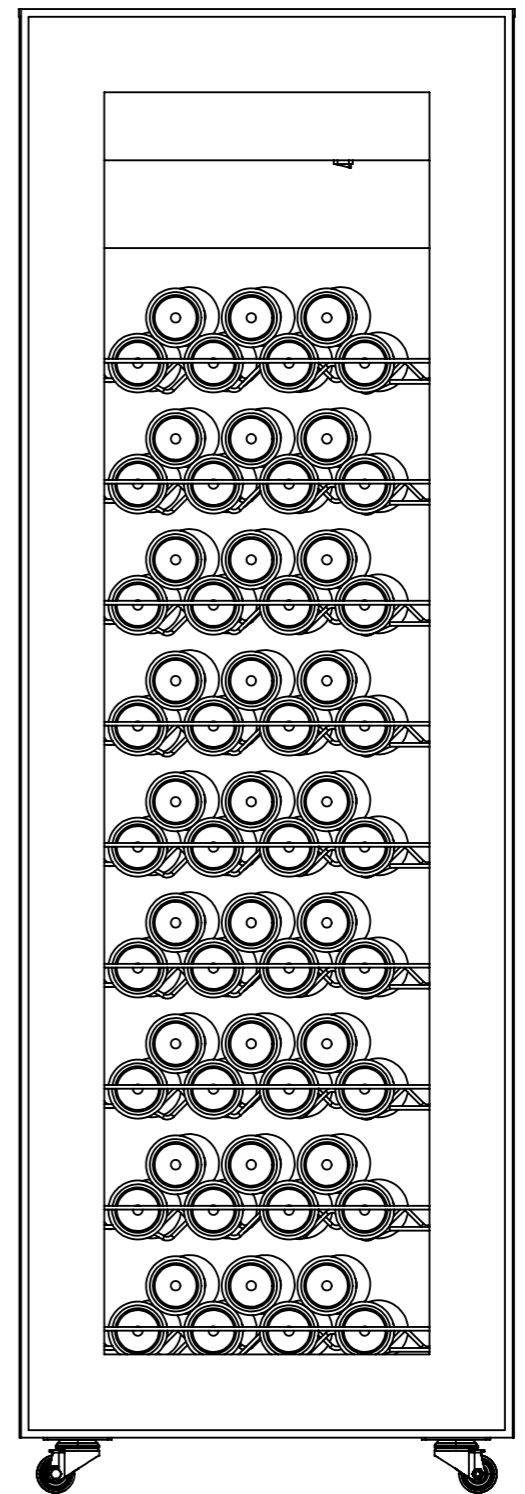


ALZADO


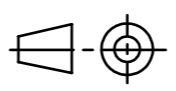


PERFIL



9  
9  
9  
9  
9  
9  
9  
9  
9

Notes:

	Date	Name	 THE INFORMATION CONTAINED IN THIS DRAWING IS THE SOLE PROPERTY OF CAVANOVA. ANY REPRODUCTION IN PART OR AS A WHOLE WITHOUT THE WRITTEN PERMISSION OF CAVANOVA IS PROHIBITED.	
Design:				
Checked:				
Modified:			Top assembly:	Client:
Scale: 1:20	Part name:		Material:	
	Description:		Reference:	
			Count:	
			Pages: 1 OF 1	