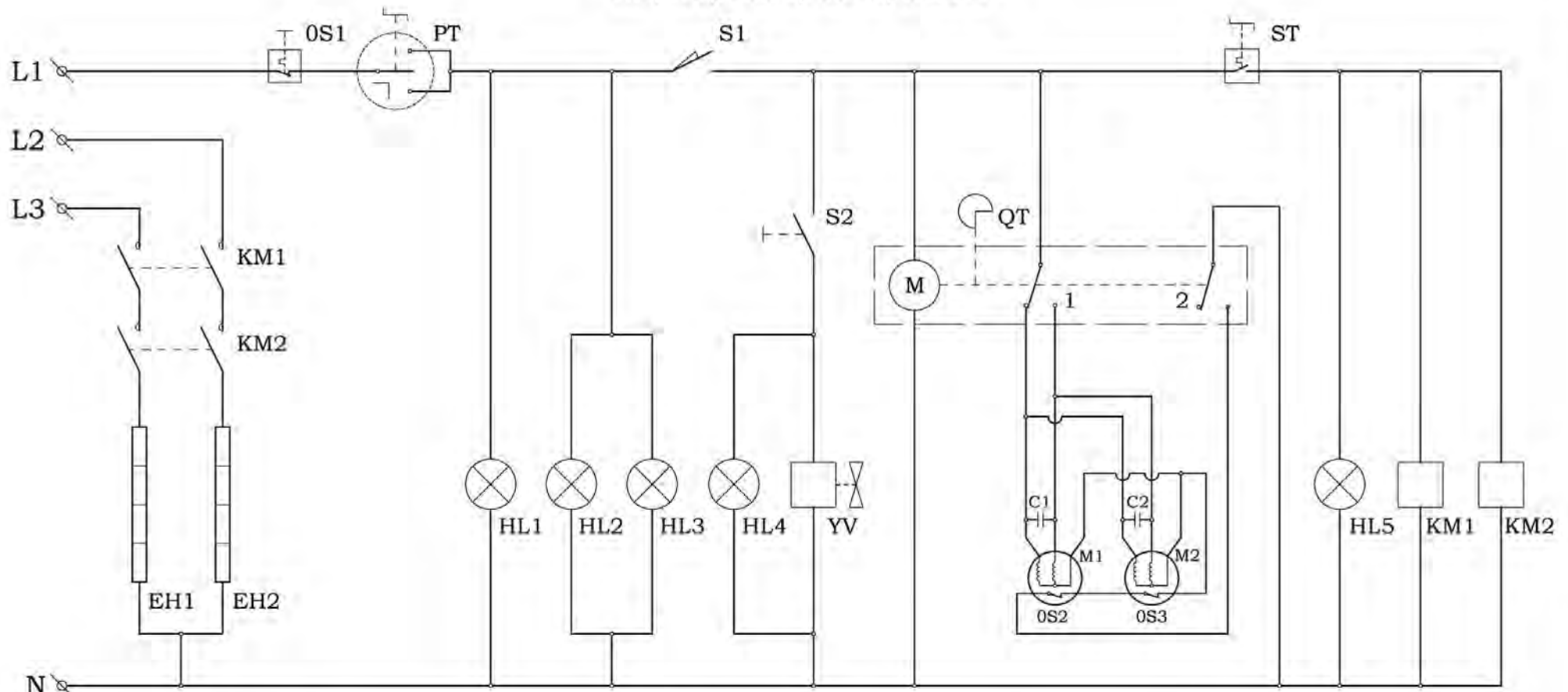


AC/N3/380V/50Hz/6.4kW



KM1.KM2.....Schaltschütz/AC contactor
 EH1.EH2.....Heizelement/heating element
 OS1.....Temperaturbegrenzer/temperature limiter
 PT.....Timer/timer
 HL1Kontrolllampe/power indicator
 HL2.HL3.....Beleuchtung/lamp
 HL4Kontrolllampe/indicator light
 YVMagnetventil/electromagnetic valve

S1.....Türschalter/door switch
 S2.....Taster/switch
 QT.....Regler/controller
 C1.C2Kondensator/capacitor
 M1.M2Motor/motor
 OS1.OS2.....Thermoschalter/thermal circuit breaker
 ST.....Thermostat/thermostat
 HL5.....Kontrolllampe/heating indicator